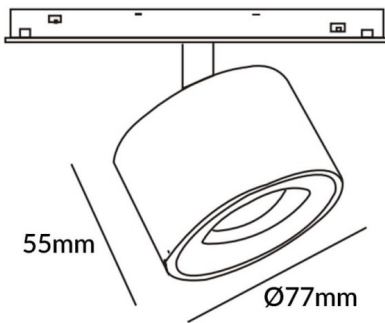





Disc tracklight DIAM 77x55mm

Lavov tracklight from the family Disc tracklight DIAM 60x48mm with a power of 12W and a beam angle of 15°. With a real lumen output of 1200lm and an efficiency of 100lm/W. Made in Die cast aluminium and finished in black color. DALI Brightness Dim 0.1~100%.

Scheme



Item code	86.TL01.Q313.02
Product type	Indoor
Category	Tracklights
Family	Magnetic Track
Subfamily	Disc tracklight DIAM 77x55mm
Pictograms	

Product	
Real power (W)	12
Real luminous flux (Lm)	1200lm
Luminous efficiency (Lm/W)	100
Beam angle (º)	15°
Colour	black
Chip Brand	FMSP924-1 12W
Control gear included	YES
Control gear	DALI Brightness Dim 0.1~100%
Flicker Free	Yes
Average life time (h)	50000hrs L80 B10
Colour temperature (K)	3000
Colour consistency (SDCM)	SDCM<3
CRI	90