

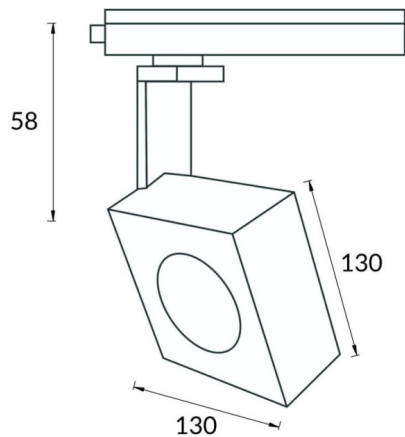


### Square Smart

Lavov Tracklight from the family Square with a power of 30W and an optic of 24degrees with a total lumen output of 1709 lm and an efficiency of 56,97 lm/W. CCT 3000 Kelvin. Made in Die cast aluminium and finished in White colour. CASAMBI ready driver. .

|              |                 |
|--------------|-----------------|
| Item code    | 86.TST7.1329.01 |
| Product type | Indoor          |
| Category     | Tracklights     |
| Family       | Disc & Square   |
| Subfamily    | Square Smart    |
| Pictograms   |                 |

### Scheme



|                             |                    |
|-----------------------------|--------------------|
| Product                     |                    |
| Real power (W)              | 30                 |
| Real luminous flux (Lm)     | 1709               |
| Luminous efficiency (Lm/W)  | 56.96              |
| Beam angle (&ordm;)         | 24                 |
| Life time (h)               | 50000h L80B10      |
| IP                          | 20                 |
| Electrical class insulation | Class I            |
| Operating temperature       | -20 +35            |
| Colour                      | White              |
| Chip Brand                  | Philip             |
| Control gear included       | yes                |
| Control gear                | DALI Casamby ready |
| Light source                | LED                |
| Type of LED                 | COB                |
| Colour temperature (K)      | 3000               |
| Colour consistency (SDCM)   | SDCM<3             |
| CRI                         | 80                 |