

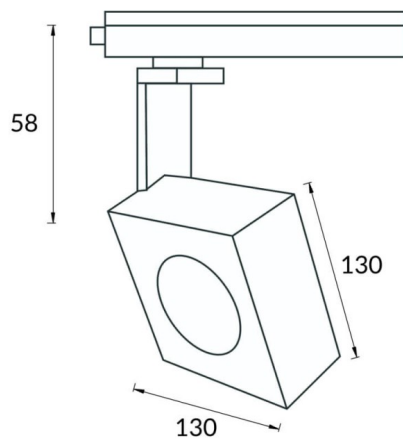


Square Smart

Lavov Tracklight from the family Square with a power of 30W and an optic of 40degrees with a total lumen output of 2996 lm and an efficiency of 99,87 lm/W. CCT 3000 Kelvin. Made in Die cast aluminium and finished in White colour. CASAMBI ready driver. .

| | |
|--------------|-----------------|
| Item code | 86.TST7.1339.01 |
| Product type | Indoor |
| Category | Tracklights |
| Family | Disc & Square |
| Subfamily | Square Smart |
| Pictograms | |

Scheme



| | |
|-----------------------------|--------------------|
| Product | |
| Real power (W) | 30 |
| Real luminous flux (Lm) | 2996 |
| Luminous efficiency (Lm/W) | 99.86 |
| Beam angle (°) | 40 |
| Life time (h) | 50000h L80B10 |
| IP | 20 |
| Electrical class insulation | Class I |
| Operating temperature | -20 +35 |
| Colour | White |
| Chip Brand | Philip |
| Control gear included | yes |
| Control gear | DALI Casamby ready |
| Light source | LED |
| Type of LED | COB |
| Colour temperature (K) | 3000 |
| Colour consistency (SDCM) | SDCM3 |
| CRI | 80 |