



### ECLIPSE R

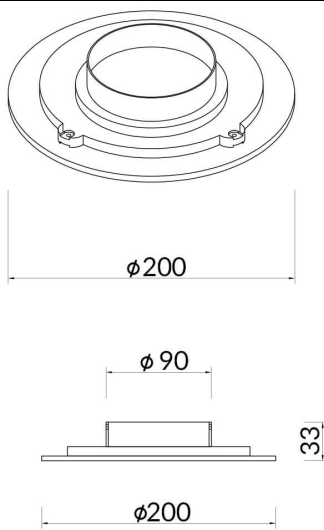
Lavov Wall Fixture from the family ECLIPSE R with a power of 12W and a Diffuse optic. Made in Die Cast Aluminum and finished in Blackcolour, with a real lumen output of 540lm and an efficiency of 45lm/W.ON-OFF driver.

<b>Item code</b>	<b>86.W001.1301.02</b>
<b>Product type</b>	<b>Indoor</b>
<b>Category</b>	<b>Wall Fixtures &amp; Reading lights</b>
<b>Family</b>	<b>ECLIPSE R</b>

#### Pictograms



### Scheme



<b>Product</b>	
<b>Real power (W)</b>	<b>12</b>
<b>Real luminous flux (Lm)</b>	<b>540</b>
<b>Luminous efficiency (Lm/W)</b>	<b>45</b>
<b>Beam angle (°)</b>	<b>Diffuse</b>
<b>Life time (h)</b>	<b>50000h L80B10</b>
<b>IP</b>	<b>20</b>
<b>Colour</b>	<b>Black</b>
<b>Control gear included</b>	<b>Yes</b>
<b>Control gear</b>	<b>ON-OFF</b>
<b>Colour temperature (K)</b>	<b>3000</b>
<b>Colour consistency (SDCM)</b>	<b>SDCM&lt;3</b>
<b>CRI</b>	<b>80</b>