



Slim wall up&down

Lavov wall fixture from the family Slim wall up&down with a power of 10W and a beam angle of 120°+120°. Finished in Black colour. With a total lumen output of 850lm and a luminous efficacy of 85lm/W. Made in Die Cast Aluminum and tempered glass diffuser. Driver ON-OFF. CCT 3000K. Dimensions 200*140*55mm.

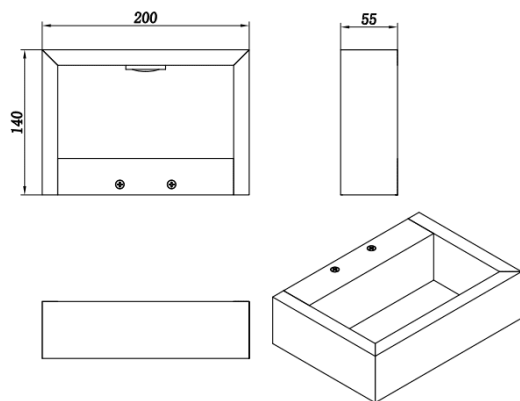
Item code	86.W006.2301.02
Product type	Indoor
Category	Wall Fixtures & Reading lights
Family	Slim wall up&down
Pictograms	

Product	
Real power (W)	10
Real luminous flux (Lm)	850
Luminous efficiency (Lm/W)	85
Beam angle (°)	120°+120°
Life time (h)	50000h L80B10
IP	20
Colour	Black
Control gear included	Yes
Control gear	ON-OFF
Light source	LED
Type of LED	SMD
Colour temperature (K)	3000
Colour consistency (SDCM)	SDCM3
CRI	80

Dimensions

Product dimensions (mm) **200*140*55mm**

Scheme



Photometry

