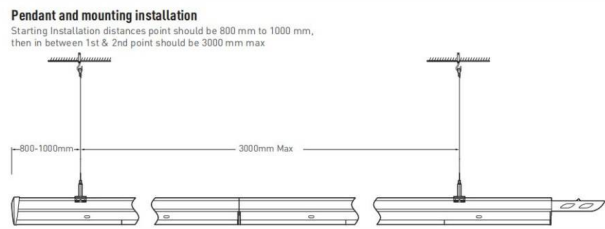
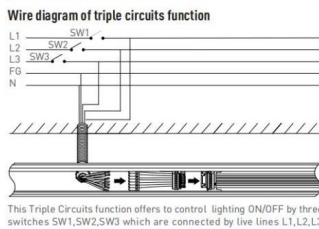
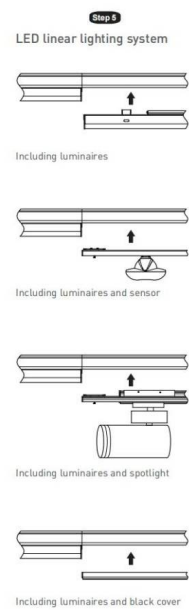
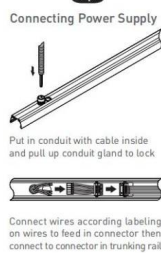
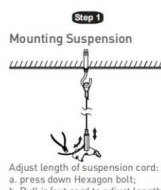
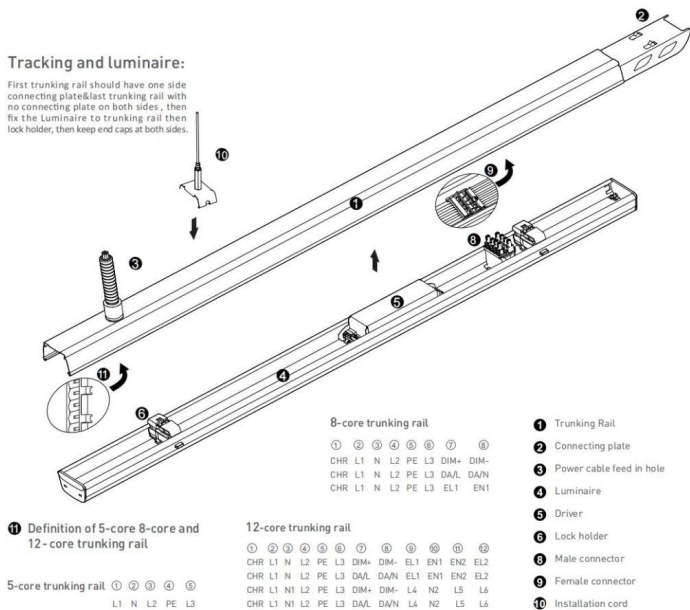




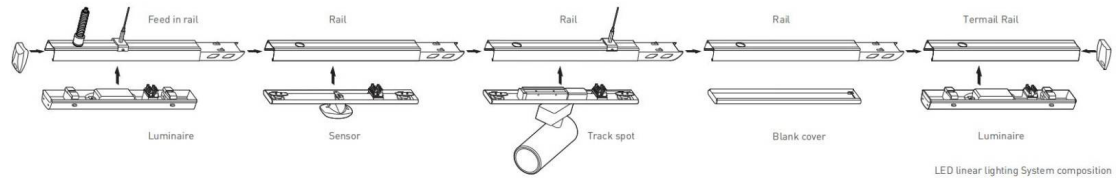
**Tracking and luminaire:**

First trunking rail should have one side connecting plate&last trunking rail with no connecting plate on both sides, then fix the Luminaire to trunking rail then lock holder, then keep end caps at both sides.



Safety notes:  
Installation should be performed only by qualified electrician.

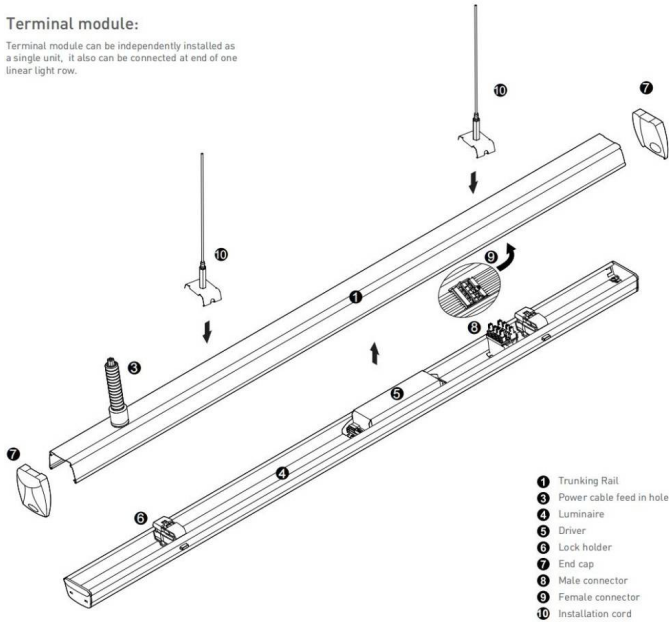
- Make sure no voltage while installation.
- Connect cable wires according to wire labeling.
- Max current should not exceed 16A in one power feed in circuit.



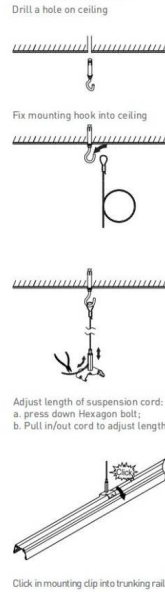
LED linear lighting System composition

**Terminal module:**

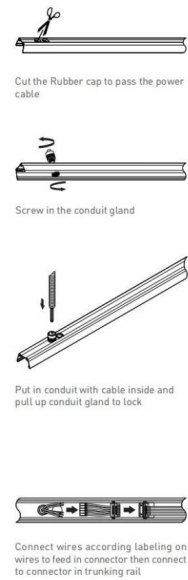
Terminal module can be independently installed as a single unit, it also can be connected at end of one linear light row.



**Step 1**  
Mounting Suspension



**Step 2**  
Connecting Power Supply



**Step 3**  
Mounting Luminaire

