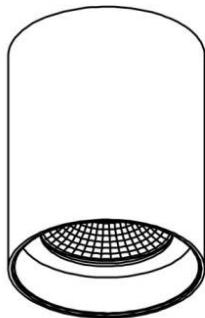




# Installation Instruction

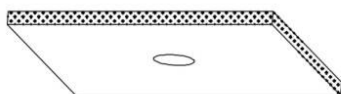


## CAUTIONS:

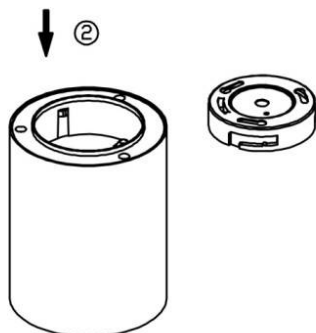
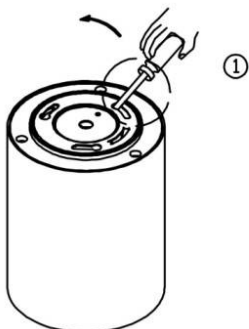
1. Switch-off the power supply before any installation and maintenance operations.
2. Installation should be carried out by a suitably qualified person in accordance with good electrical practice and the appropriate national wiring regulations.
3. Connect this lighting according to voltage and frequencies mention on driver.

## INSTALLATION:

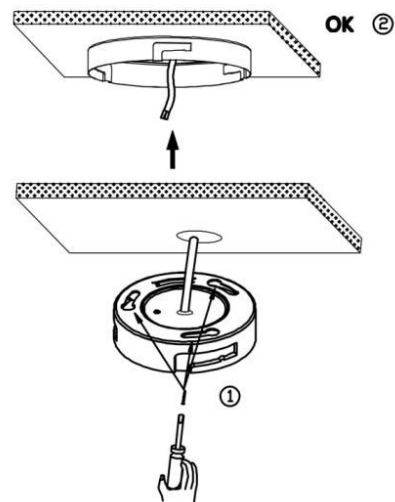
### 1 Make a hole



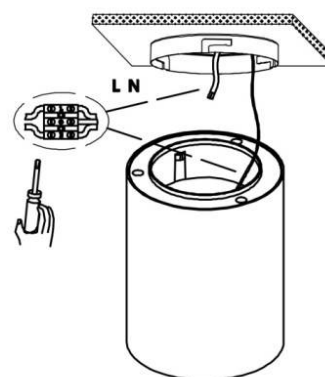
### 2



### 3



### 4



### 5

