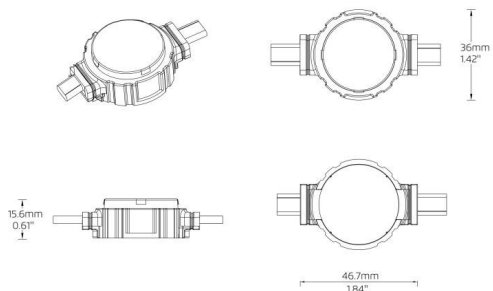
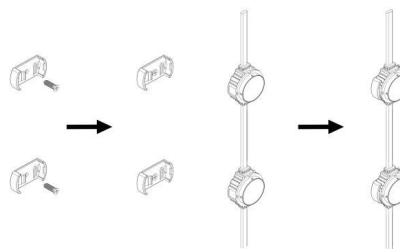




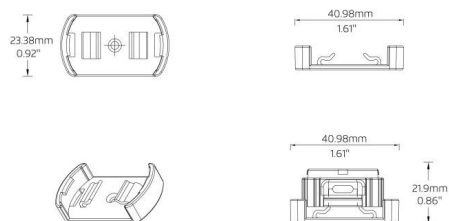
**Product Dimensions (mm)**



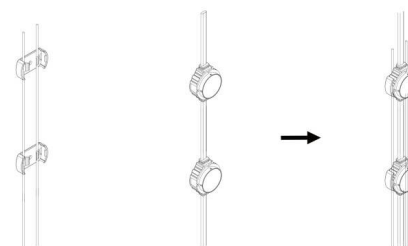
**Installation Method 1**



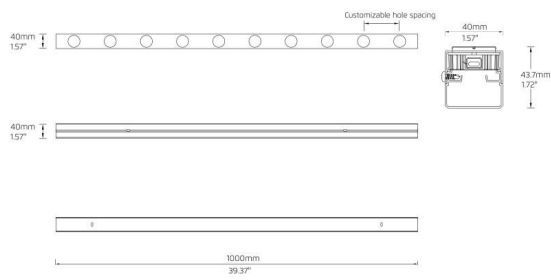
**Installation Accessories**



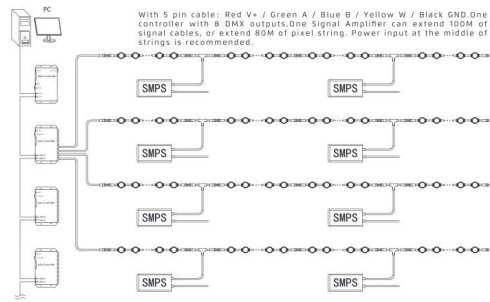
**Installation Method 2**



**Installation Method 3**



**Control System Diagram**



**Installation Method 4**

