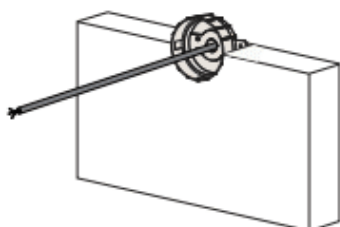


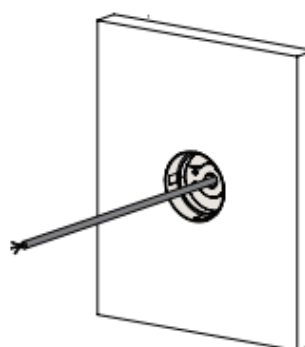
## Installation steps

### Step 1



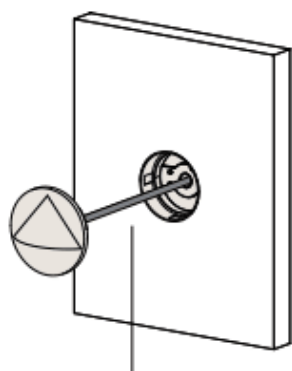
Secure the recessed sleeve

### Step 2



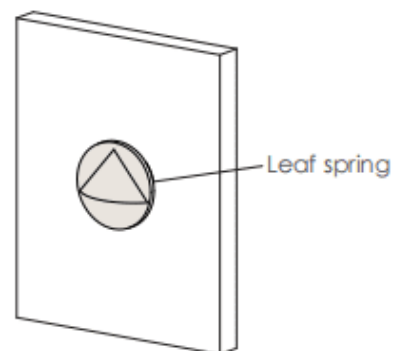
Finish the installation of concrete  
surface materials

### Step 3



Connect the power cable

### Step 4



Install the light fixture on the wall