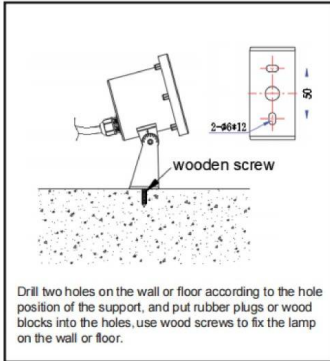
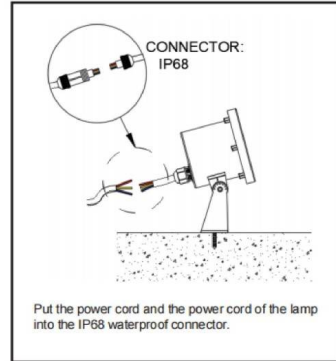




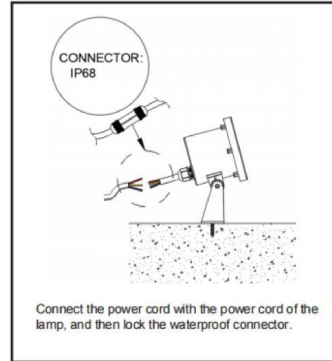
STEP 1



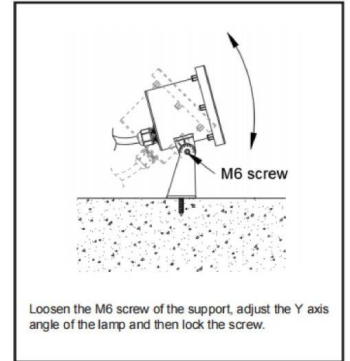
STEP 2



STEP 3



STEP 4



CONNECTION DIAGRAM

