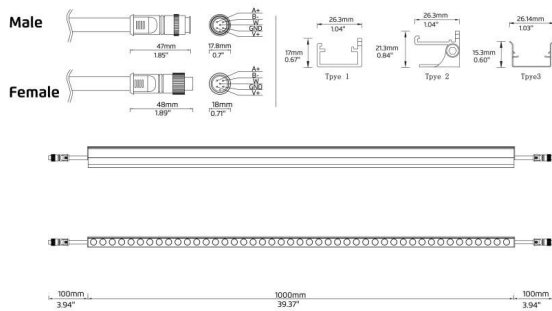
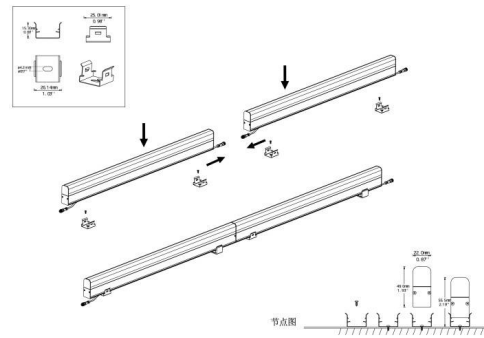




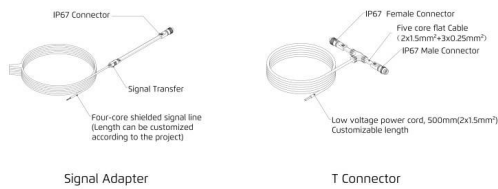
Product Dimensions (mm)



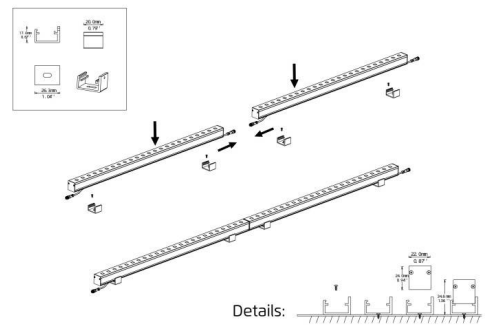
Installation Method 1



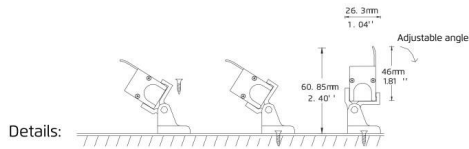
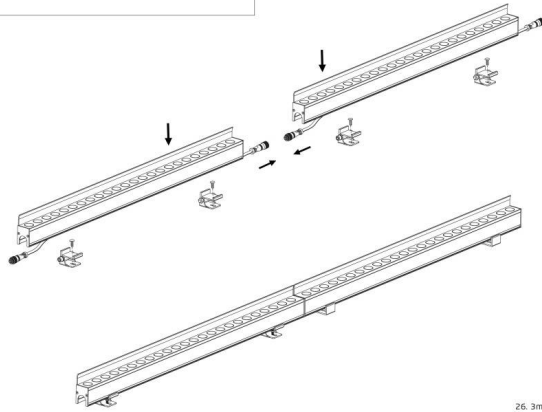
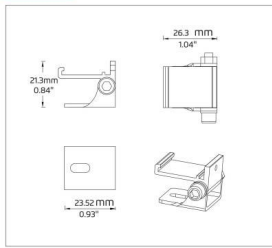
Installation Accessories



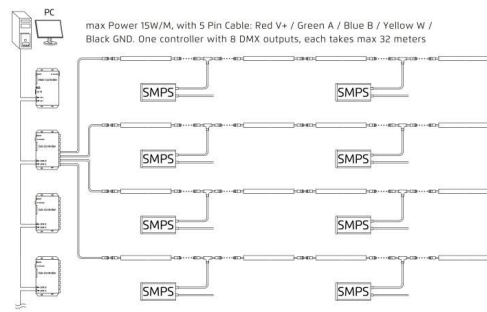
Installation Method 2



Installation Method 3



Control System Diagram



max Power 15W/M, with 5 Pin Cable: Red V+ / Green A / Blue B / Yellow W / Black GND. One controller with 8 DMX outputs, each takes max 32 meters