

---

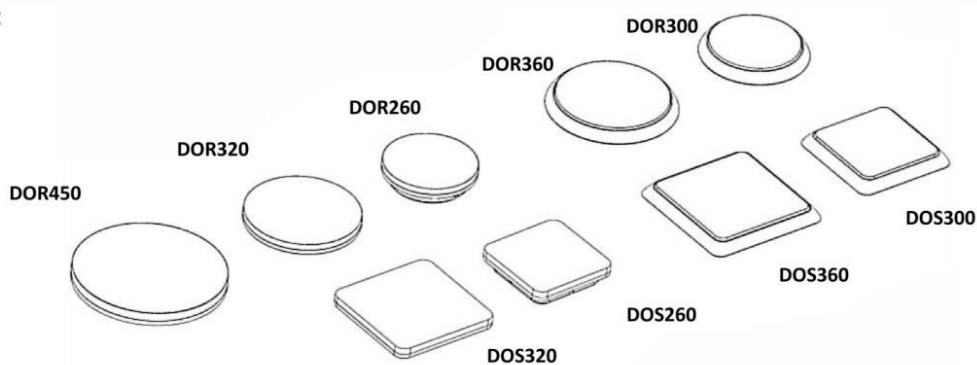
**INDOOR / DOWNLIGHTS DE  
SUPERFICIE / QUADRO / QUADRO  
UP&DOWN**

**Código artículo 86.SD10.1303.01**

**LAVOV**  
L I G H T I N G

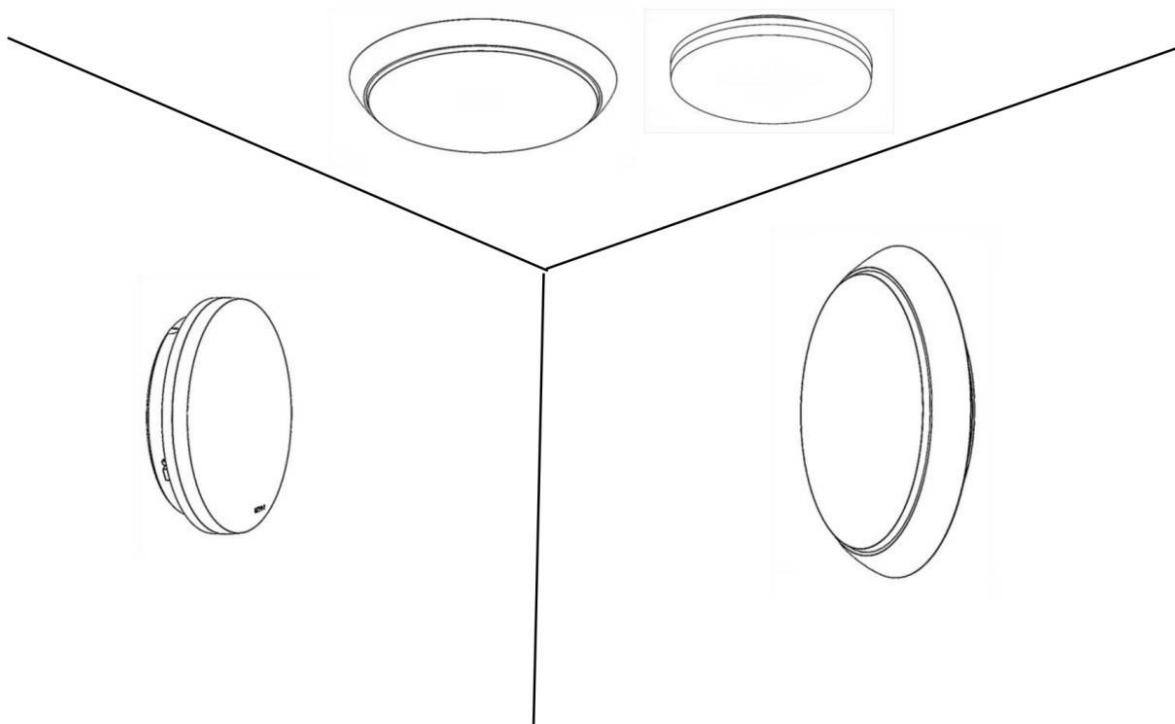


LED Ceiling light  
 DOR/DOS

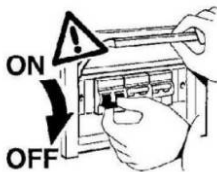


**IP54**

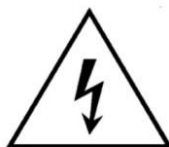
Required Tools



**WARNING:**



Check that the power is off before conducting any maintenance and assembly work

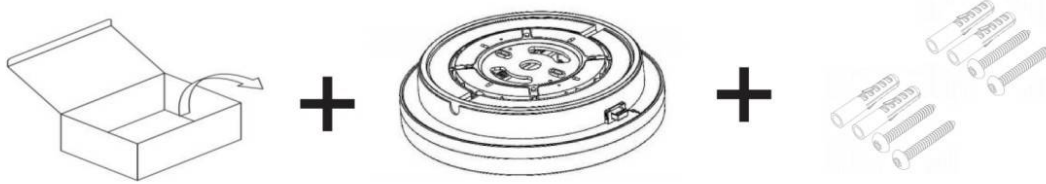


Caution, danger of electric shock

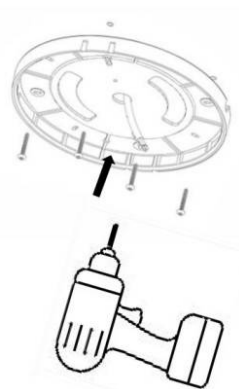
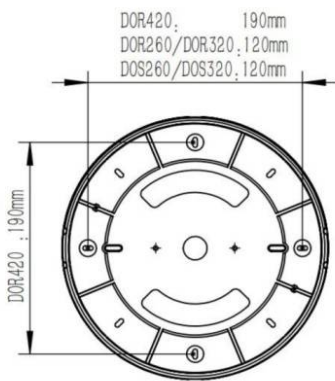


The installation and commissioning of the luminaire as well as any modification to the luminaire may only be performed by authorized personnel (qualified electrician).

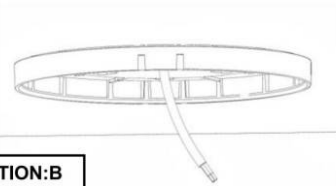
Step:1



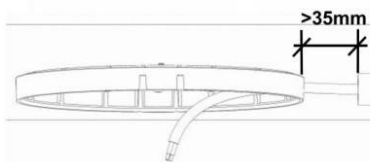
STEP:2



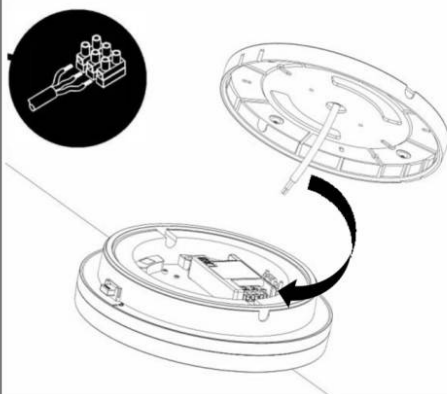
OPTION:A



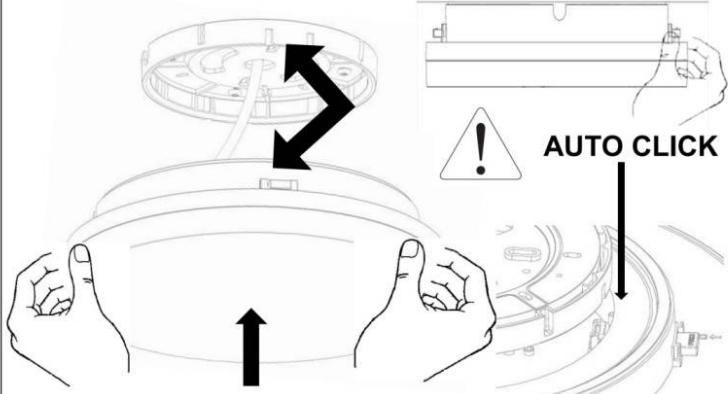
OPTION:B



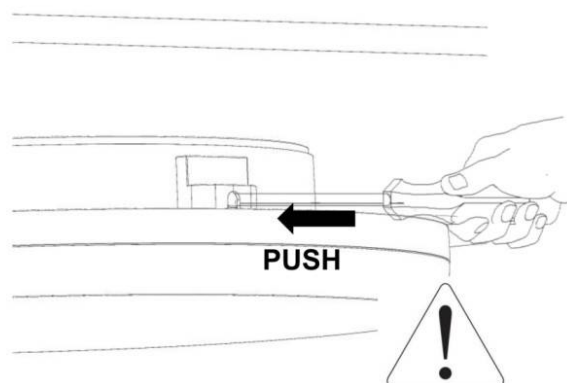
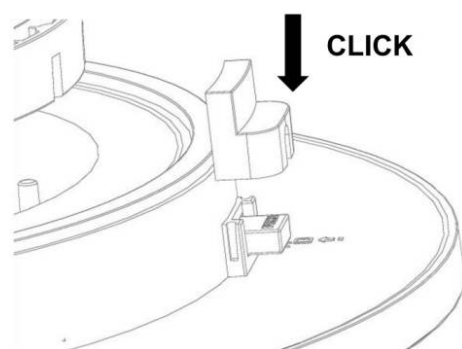
STEP:3



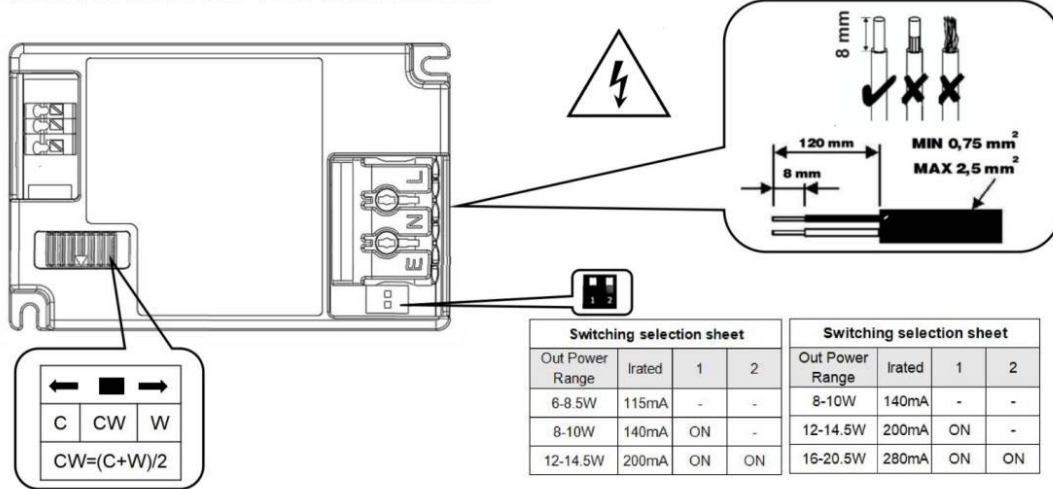
STEP:4



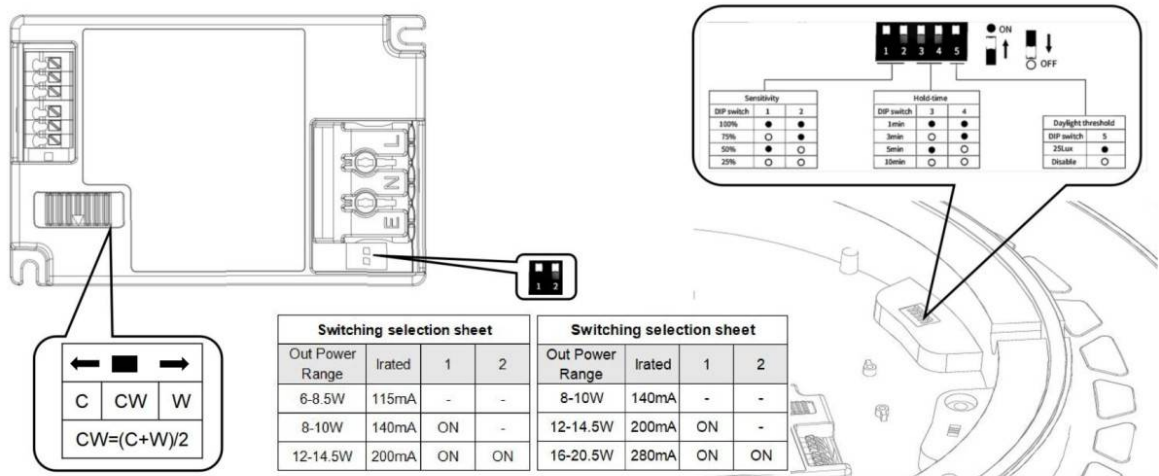
OPTION--SAFETY COVER



**I. WIRING DIAGRAMS: CCT+POWER/SWITCHABLE**



**II. WIRING DIAGRAMS: CCT+POWER/SWITCHABLE+SENSOR/EM2**



**III. WIRING DIAGRAMS: CCT+DALI (TCI DT6)**

