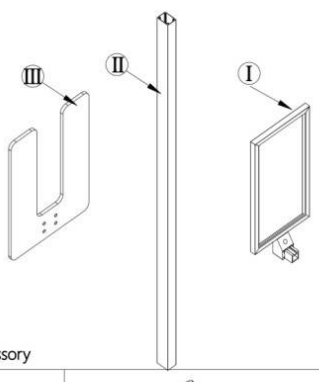
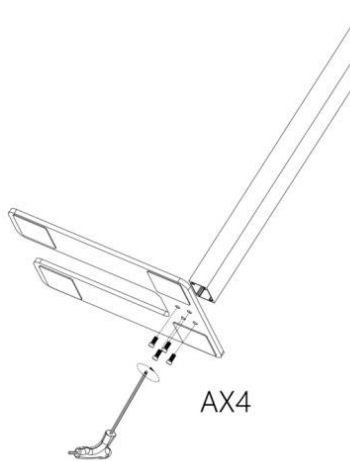
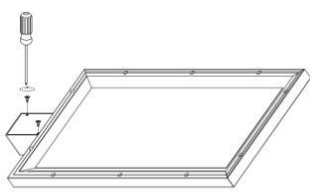
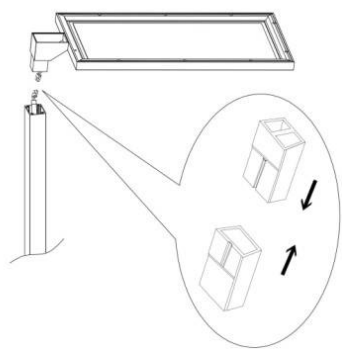


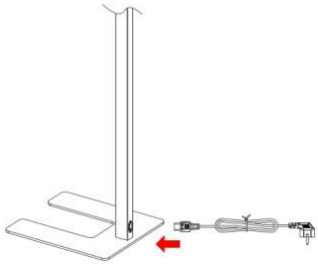
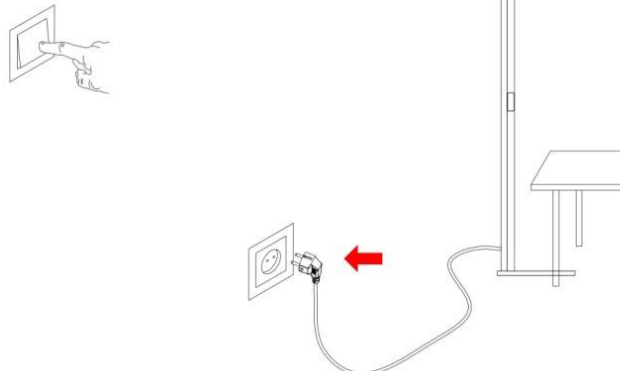

INTÉRIEURS / LUMINAIRES
ARCHITECTURAUX / WORKSTATION /
OFFICE

Code article 86.A0010.1392.01

LAVOV
L I G H T I N G



| | | | | | | | | | | | | | | |
|--|--|---|-----|---------|---|-----|-------------------------|--|----|---------------------|---|----|---|---|
| <p>①</p>  <p>Accessory</p> <table border="1"> <tr> <td>Screw A</td> <td></td> <td>AX4</td> </tr> <tr> <td>Screw B</td> <td></td> <td>BX4</td> </tr> <tr> <td>Cross point screwdriver</td> <td></td> <td>X1</td> </tr> <tr> <td>Hexagon screwdriver</td> <td></td> <td>X1</td> </tr> </table> | Screw A |  | AX4 | Screw B |  | BX4 | Cross point screwdriver |  | X1 | Hexagon screwdriver |  | X1 | <p>②</p>  <p>AX4</p> <p>Fix the bottom pole onto base plate</p> | <p>③</p>  <p>Open the box of lamp body</p> |
| Screw A |  | AX4 | | | | | | | | | | | | |
| Screw B |  | BX4 | | | | | | | | | | | | |
| Cross point screwdriver |  | X1 | | | | | | | | | | | | |
| Hexagon screwdriver |  | X1 | | | | | | | | | | | | |
| <p>④</p>  <p>Connect the terminals body</p> | <p>⑤</p>  <p>BX4</p> <p>Fix the lamp holder with the B screws</p> | <p>⑥</p>  <p>Close the box by screws</p> | | | | | | | | | | | | |
| <p>⑦</p>  <p>Insert the tail of the AC cable into the terminal seat of lamp pole.</p> | <p>⑧</p>  | | | | | | | | | | | | | |