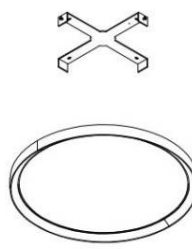


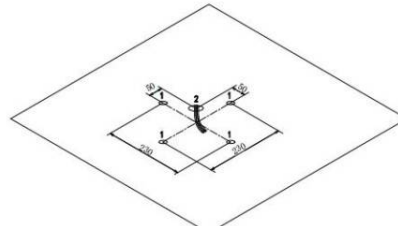


①



The picture is for reference only, the actual product shall prevail!  
Warning: Cut off the power supply before installation to prevent electric shock!

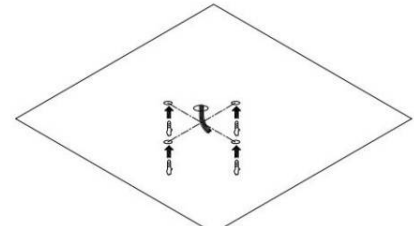
②





First select the place to be installed, place the ceiling bracket in the mounting position, and mark it with a pen core

Then drill holes for screw A of the corresponding size. If you need to hide the outlet, An AC line control needs to be reserved in the middle of the ceiling

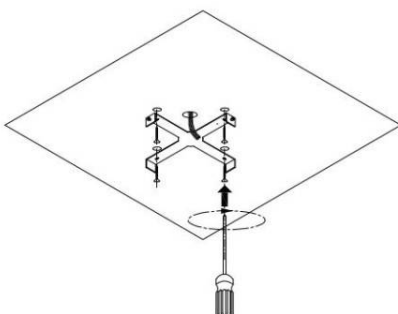
③



Insert screw A into the hole

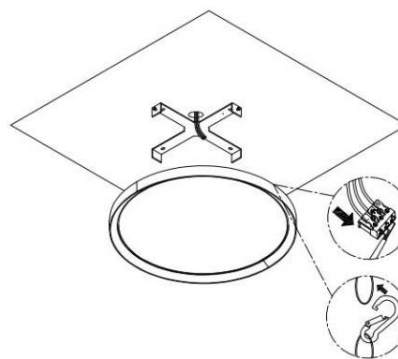
Screw		X4
Screw		X4

④



Take out 4 screws B and use a screwdriver to fix the ceiling bracket to the ceiling.

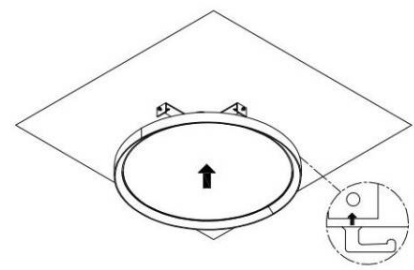
⑤



1. Connect the ceiling AC wire to the plate terminal, wiring method: (L-live wire) (N-neutral wire) (-ground wire)

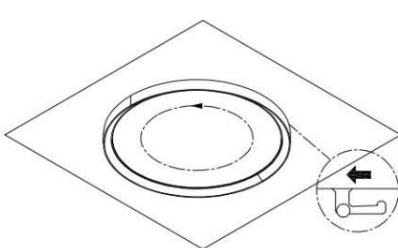
2. Hang up the anti-fall rope

⑥



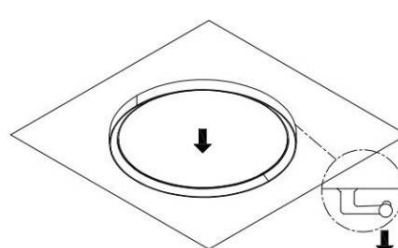
Lift the frame of the lamp and align the four notches with the four installation pillars of the ceiling bracket.

⑦



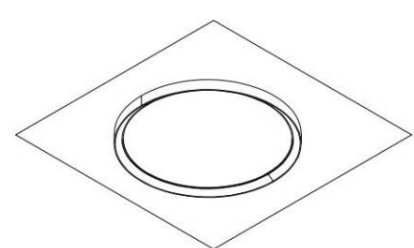
Rotate the frame of the lamp clockwise so that it locks into place with the ceiling bracket.

⑧



Make sure that the frame of the lamp is securely attached to the ceiling bracket.

⑨



After installation, turn on the power and light up the lamps.