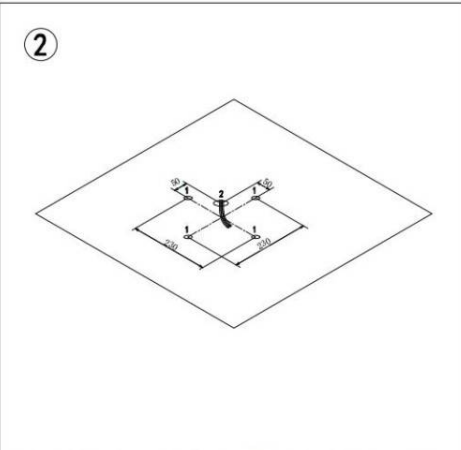


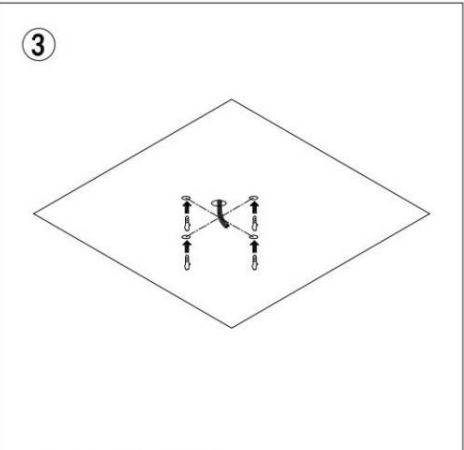
The picture is for reference only, the actual product shall prevail!  
Warning: Cut off the power supply before installation to prevent electric shock!

Screw		X4
Screw		X4

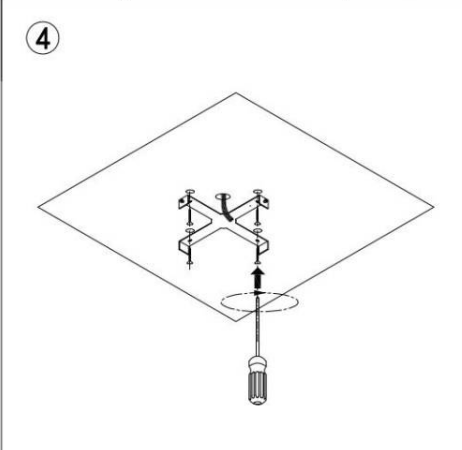


First select the place to be installed, place the ceiling bracket in the mounting position, and mark it with a pen core

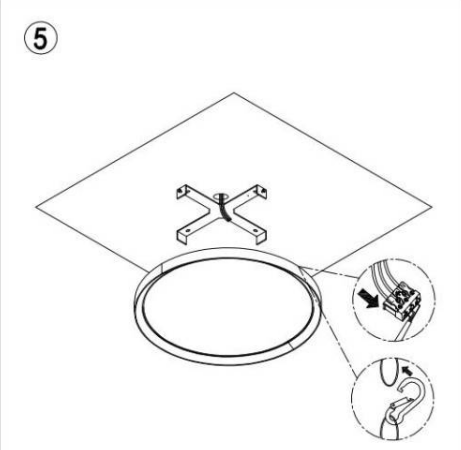
Then drill holes for screw A of the corresponding size. If you need to hide the outlet, An AC line control needs to be reserved in the middle of the ceiling



Insert screw A into the hole

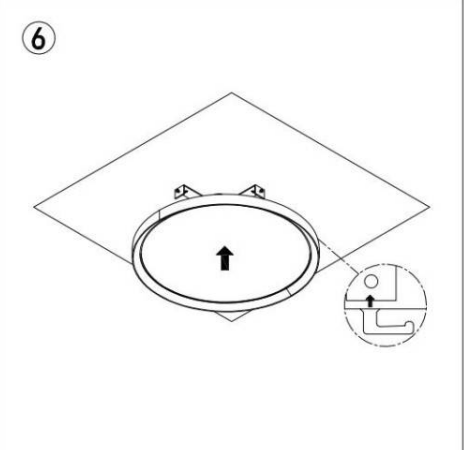


Take out 4 screws B and use a screwdriver to fix the ceiling bracket to the ceiling.

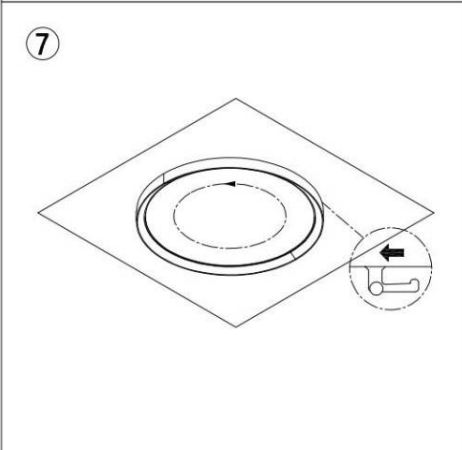


1. Connect the ceiling AC wire to the plate terminal, wiring method: (L-live wire) (N-neutral wire) (-ground wire)

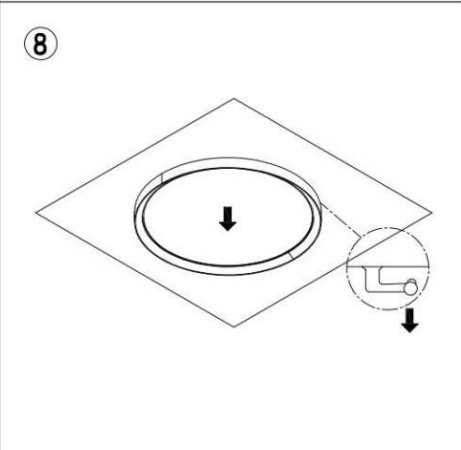
2. Hang up the anti-fall rope



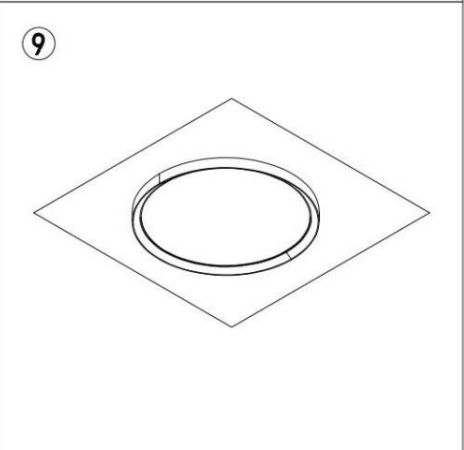
Lift the frame of the lamp and align the four notches with the four installation pillars of the ceiling bracket.



Rotate the frame of the lamp clockwise so that it locks into place with the ceiling bracket.



Make sure that the frame of the lamp is securely attached to the ceiling bracket.



After installation, turn on the power and light up the lamps.