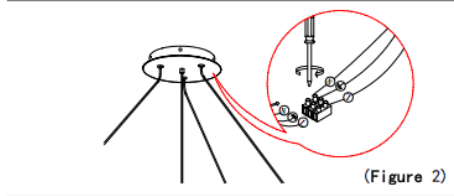
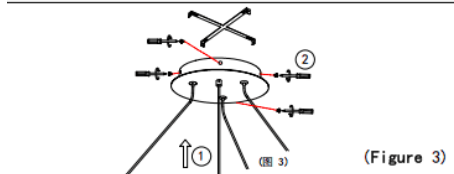


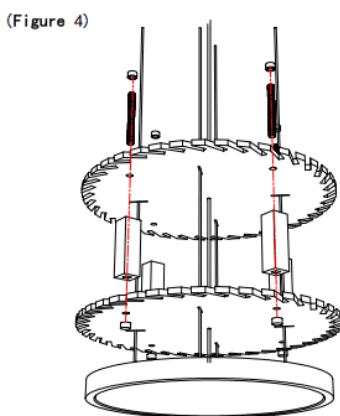
(Figure 1)



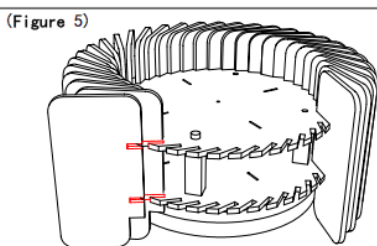
(Figure 2)



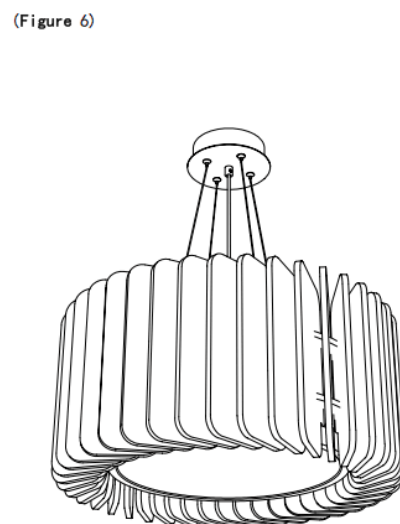
(Figure 3)



(Figure 4)



(Figure 5)



(Figure 6)