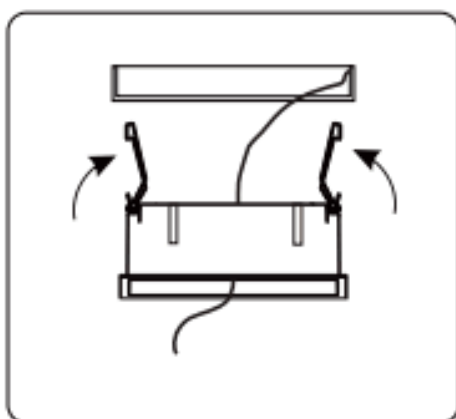


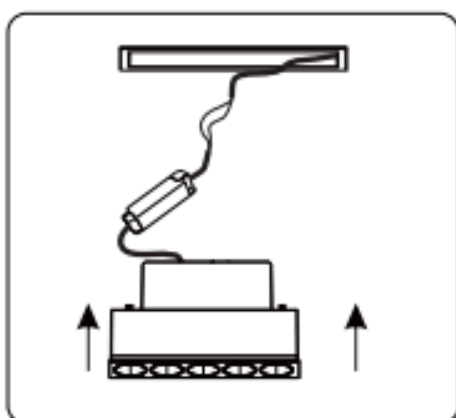
01

Make a hole at the desired installation location according to the fixture's opening size.



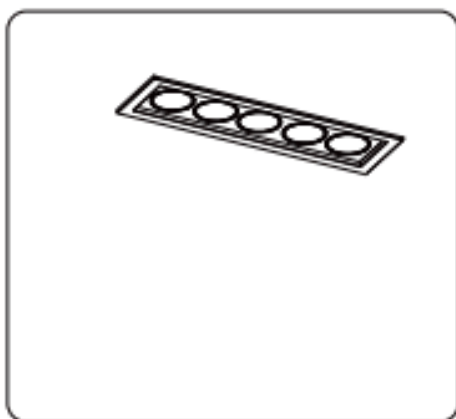
02

Thread the reserved power cable through the light fixture housing, then press the spring on the light fixture housing upward, and insert the light fixture housing into the ceiling.



03

Connect the driver input to the reserved power supply line, insert the driver into the ceiling, then insert the light-emitting module into the lamp housing. Press the lamp housing until you hear a 'click' sound to secure the light-emitting module. To remove the light-emitting module, gently press the sides of the lamp module to pop it out. When installing or removing the light-emitting module, try to press both sides simultaneously to keep them synchronized.



04

Installation complete, turn on the circuit breaker, and test the light.