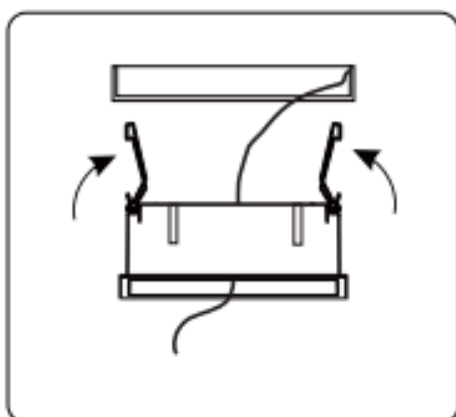


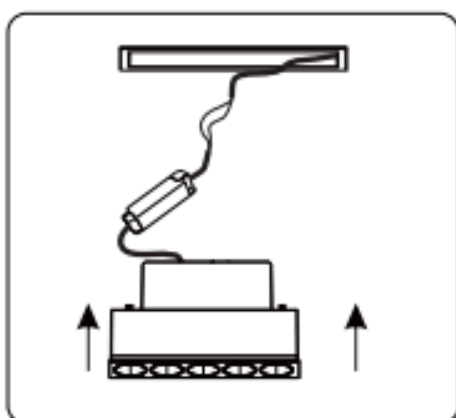
# 01

Make a hole at the desired installation location according to the fixture's opening size.



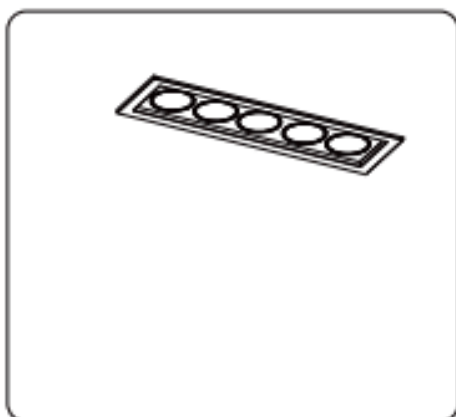
# 02

Thread the reserved power cable through the light fixture housing, then press the spring on the light fixture housing upward, and insert the light fixture housing into the ceiling.



# 03

Connect the driver input to the reserved power supply line, insert the driver into the ceiling, then insert the light-emitting module into the lamp housing. Press the lamp housing until you hear a 'click' sound to secure the light-emitting module. To remove the light-emitting module, gently press the sides of the lamp module to pop it out. When installing or removing the light-emitting module, try to press both sides simultaneously to keep them synchronized.



# 04

Installation complete, turn on the circuit breaker, and test the light.