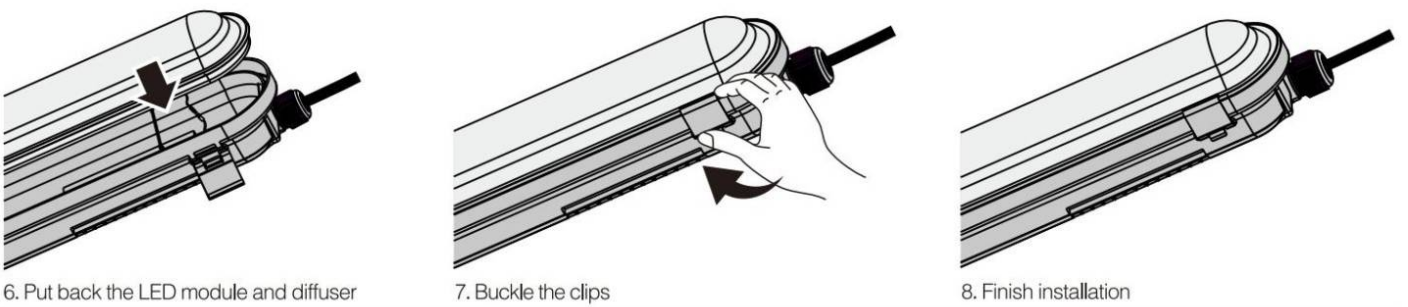
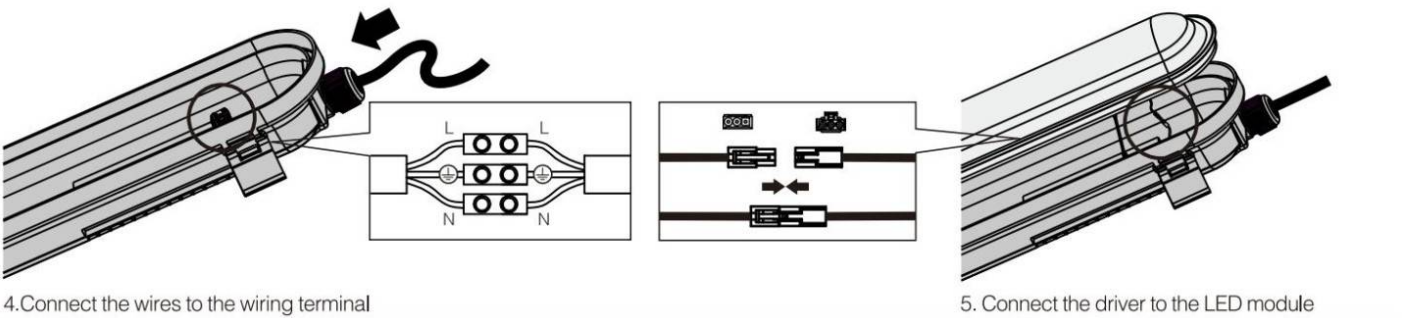
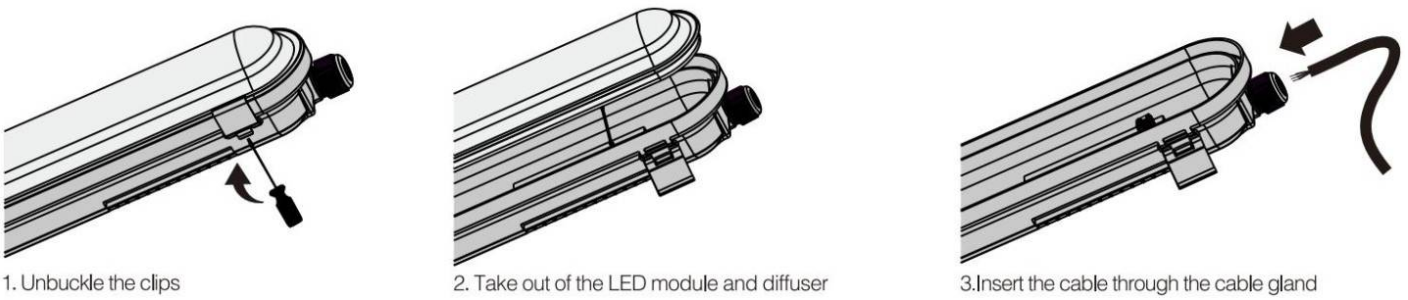
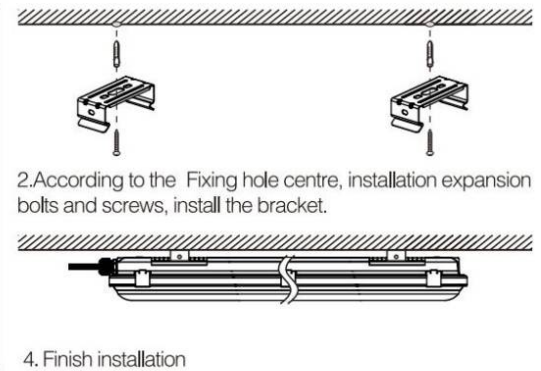
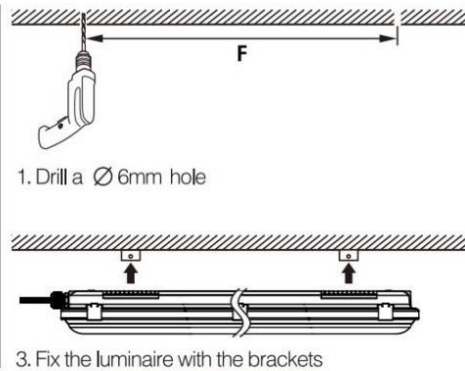


! WARNING

Switch off the power supply before installation



! WARNING

- 1) Switch off the power supply before installation
- 2) Installation should be done by registered electricians

