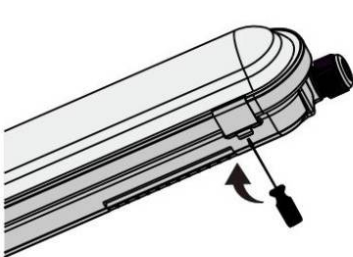
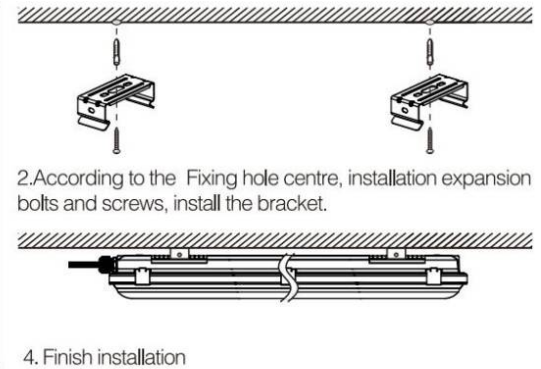
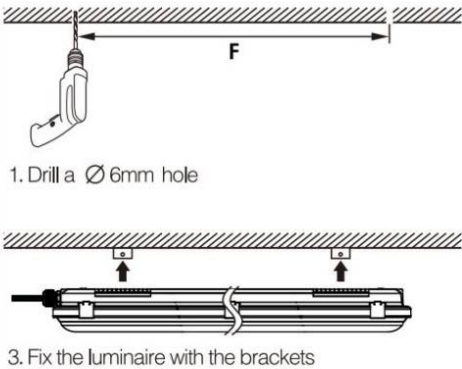
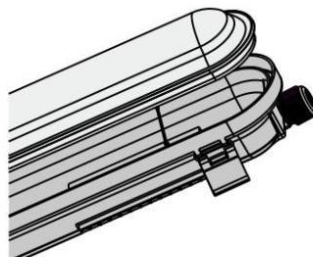


! WARNING

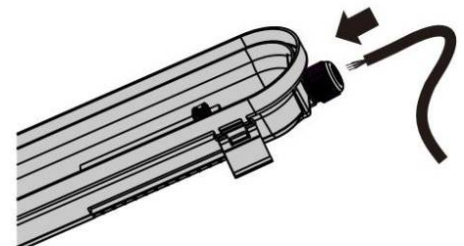
Switch off the power supply before installation



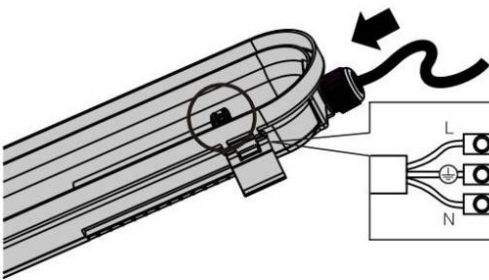
1. Unbuckle the clips



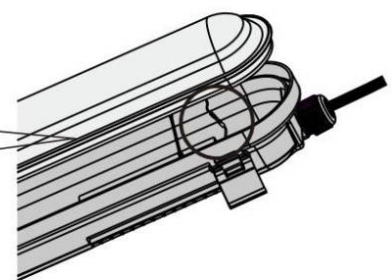
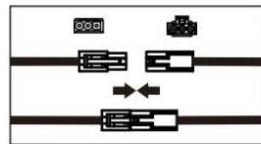
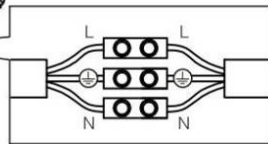
2. Take out of the LED module and diffuser



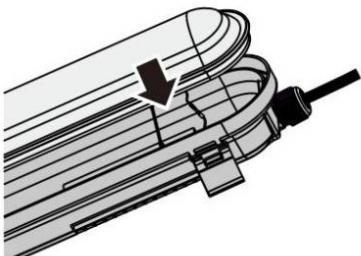
3. Insert the cable through the cable gland



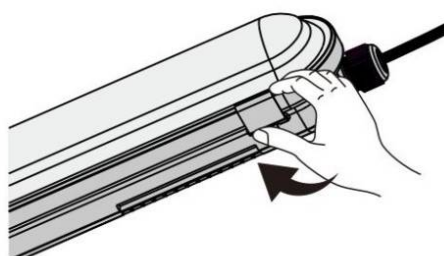
4. Connect the wires to the wiring terminal



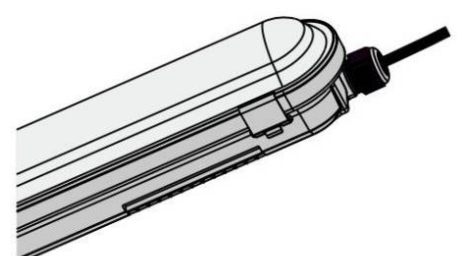
5. Connect the driver to the LED module



6. Put back the LED module and diffuser



7. Buckle the clips



8. Finish installation

! WARNING

- 1) Switch off the power supply before installation
- 2) Installation should be done by registered electricians

