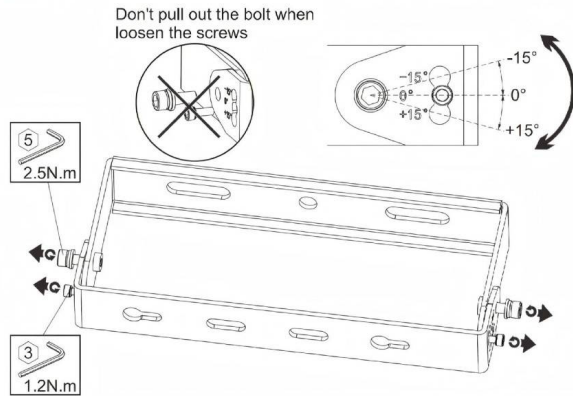
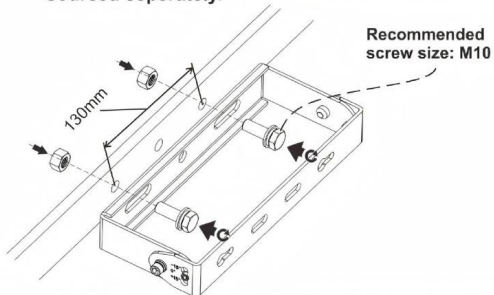




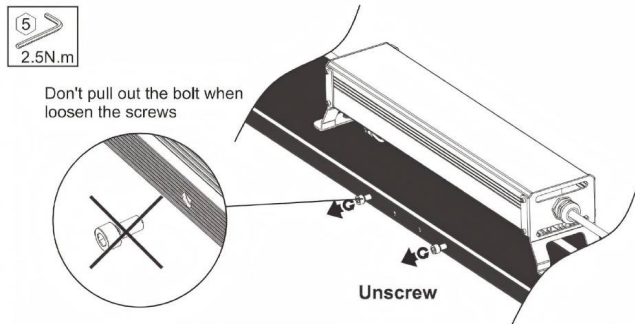
**1. ✂** Rotate the bracket to suitable angle before installation



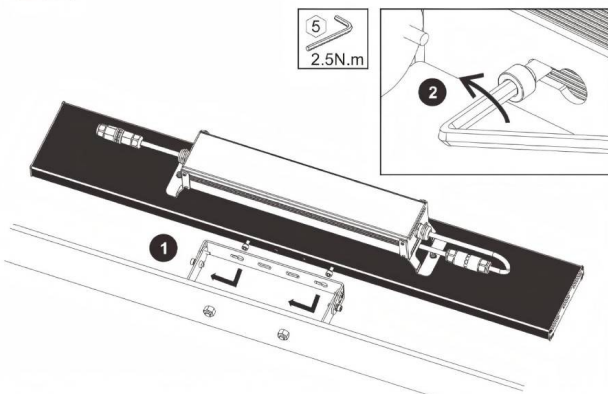
**2. ✂** This screw is not an included accessory and need to be sourced separately.



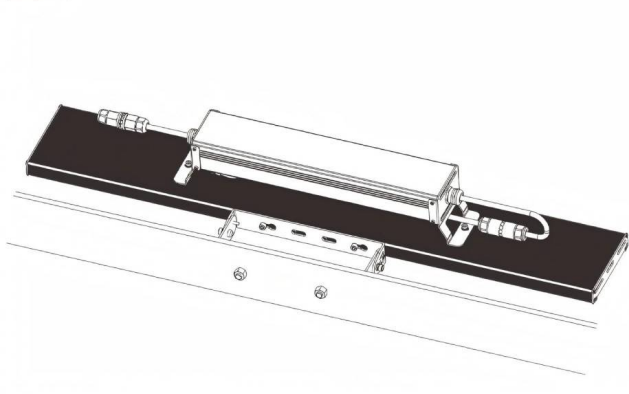
**3. ✂**



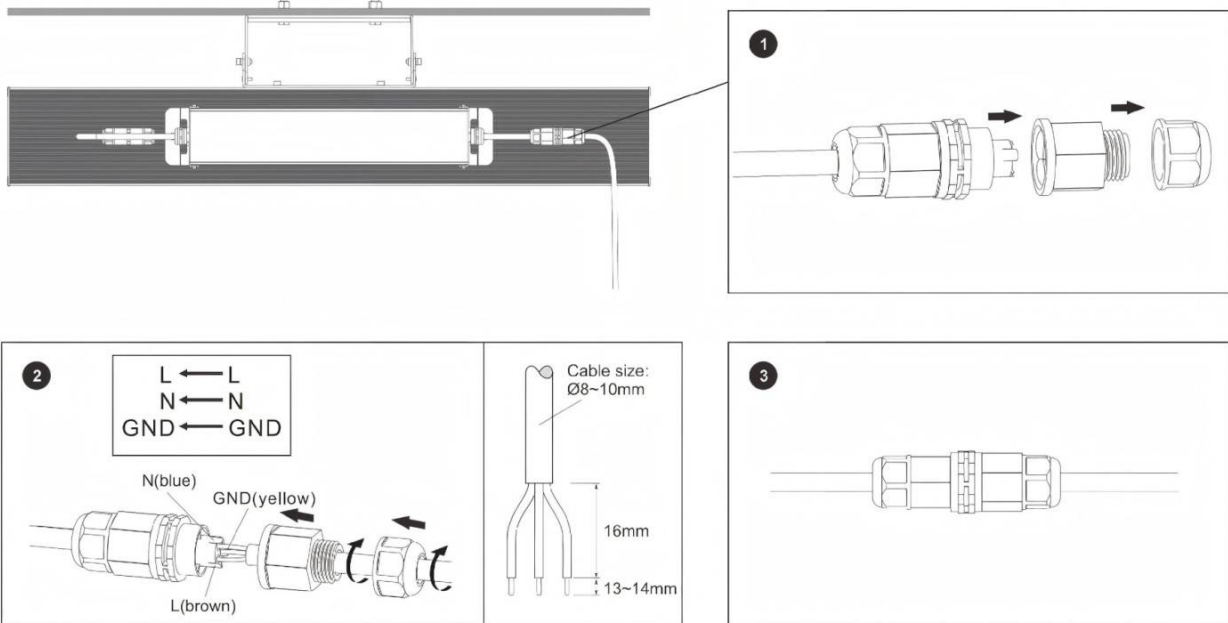
**4. ✂**



**5. ✂**



**Connect Wires**

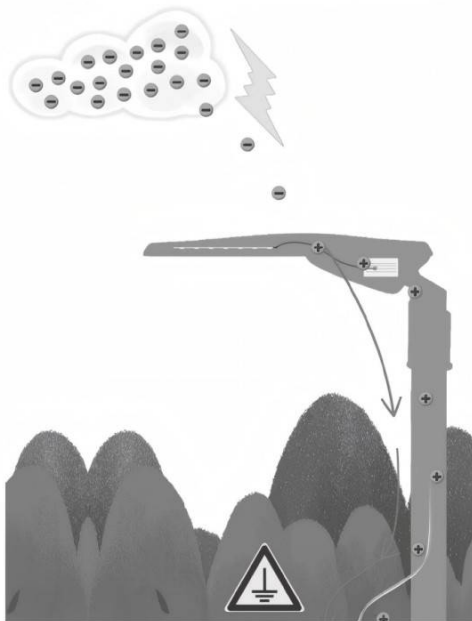


**Precautions for Outdoor Lighting**

Lightning is a common natural phenomenon. When the accumulation of electric charge in the thundercloud to a certain degree, air breakdown will occur to cause electrostatic discharge between the clouds, or between the cloud and the earth. Normally there are direct lightning and induction lightning, most LED luminaires damage caused by induction lightning, such as electrostatic induction or magnetic field induction.

Below pretreatment can reduce lightning hazard, and extend luminaire lifetime.

1. LED luminaire should be effectively grounded



With effective grounding, the electric charge can be introduced to ground quickly

2. Install surge protector in power distribution box



The SPD can absorb most surge energy before luminaire