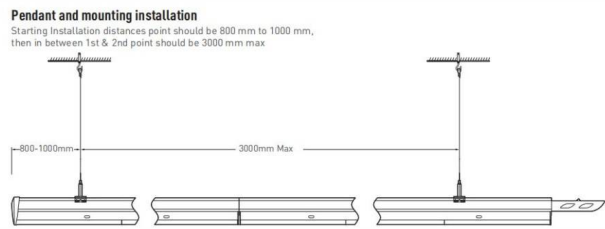
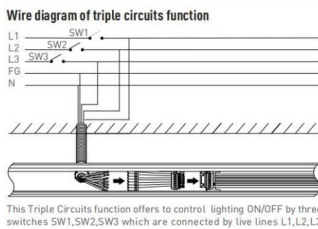
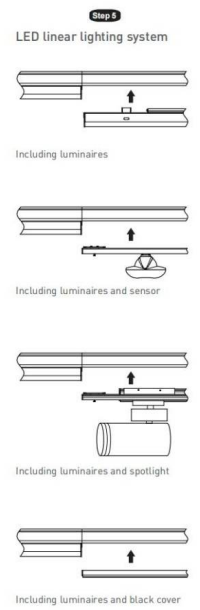
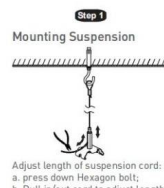
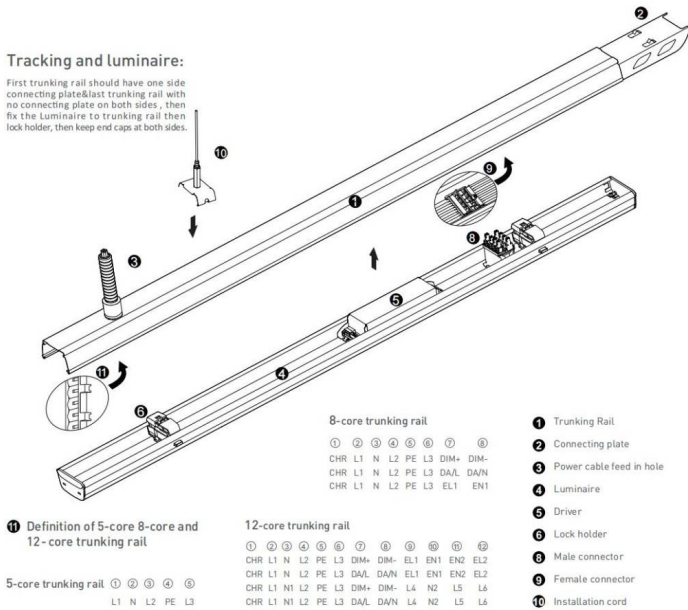




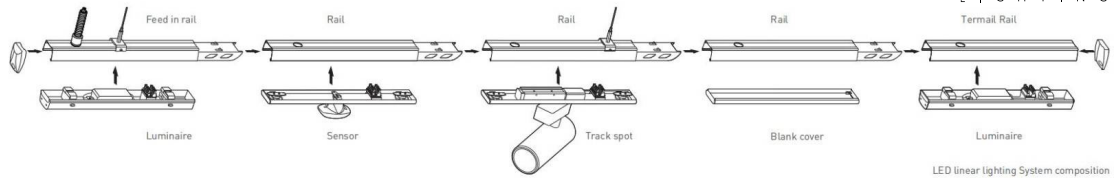
**Tracking and luminaire:**

First trunking rail should have one side connecting plate & last trunking rail with no connecting plate on both sides, then fix the Luminaire to trunking rail then lock holder, then keep end caps at both sides.



Safety notes:  
Installation should be performed only by qualified electrician.

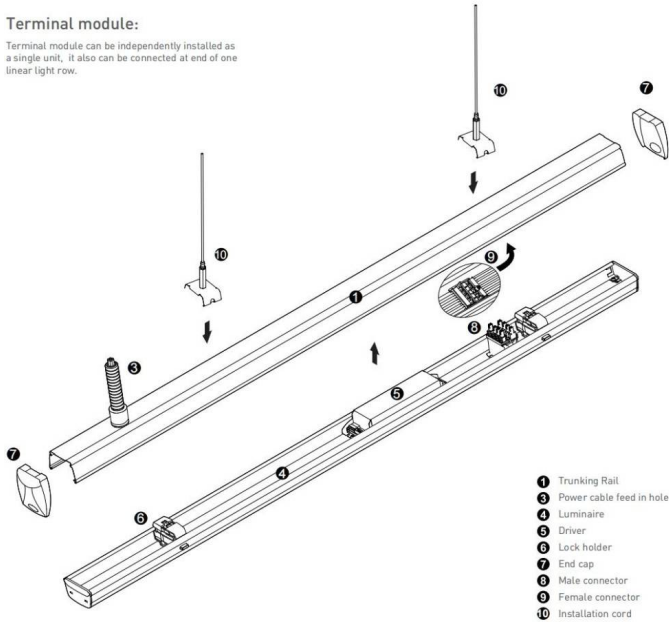
- Make sure no voltage while installation.
- Connect cable wires according to wire labeling.
- Max current should not exceed 16A in one power feed in circuit.



LED linear lighting System composition

**Terminal module:**

Terminal module can be independently installed as a single unit, it also can be connected at end of one linear light row.



- 1 Trunking Rail
- 2 Power cable feed in hole
- 4 Luminaire
- 5 Driver
- 6 Lock holder
- 7 End cap
- 8 Male connector
- 9 Female connector
- 10 Installation cord

