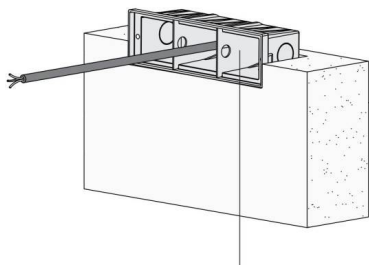


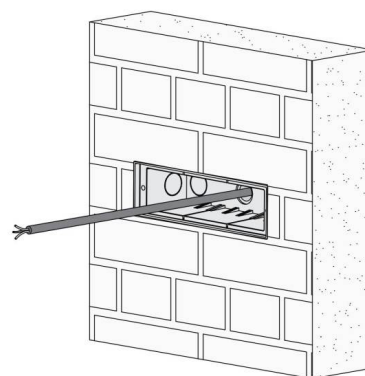


### Step 1



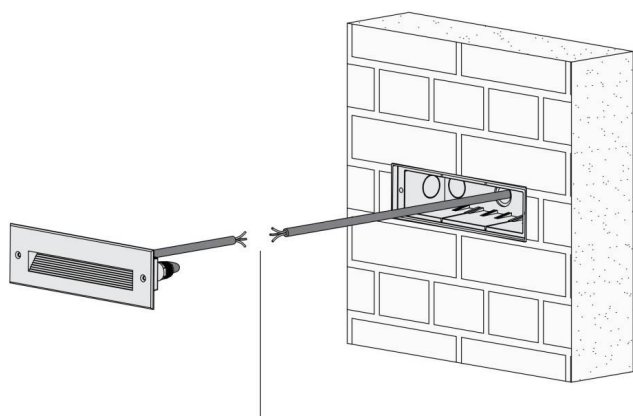
Insert support plates to prevent deformation of the recessed sleeve

### Step 2



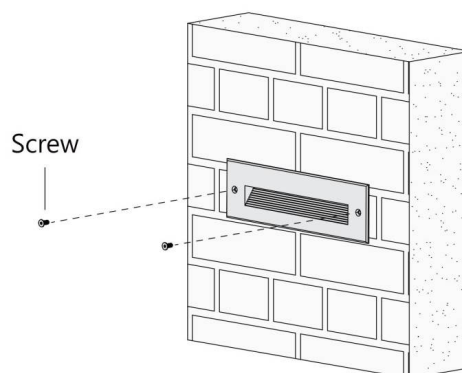
Finish the installation of concrete surface materials and remove the support plates

### Step 3



Connect the power cable

### Step 4



Install the light fixture on the wall