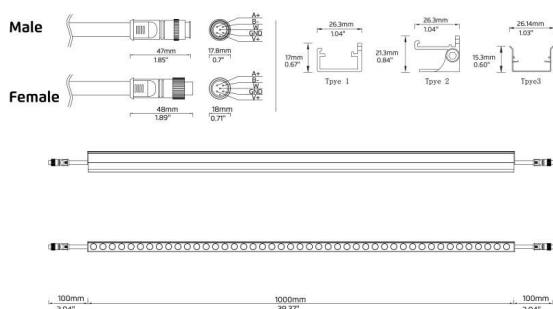
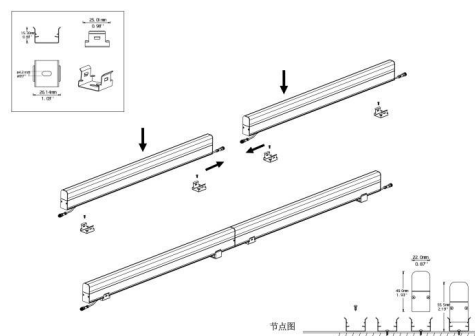




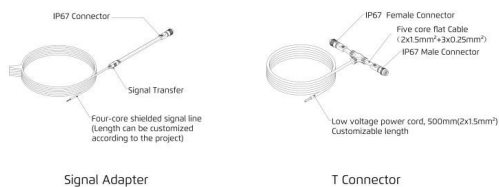
### Product Dimensions (mm)



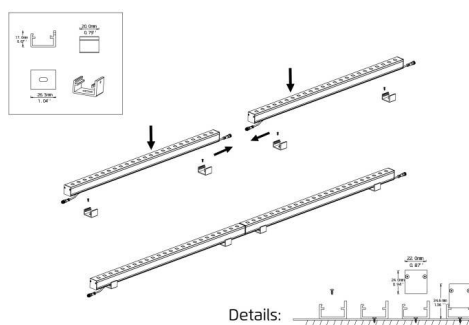
### Installation Method 1



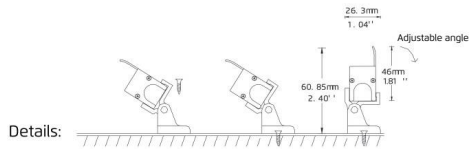
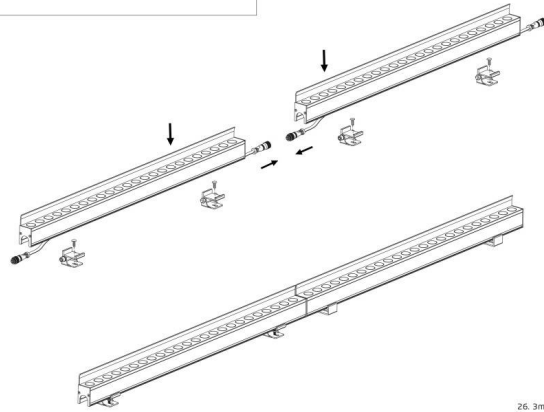
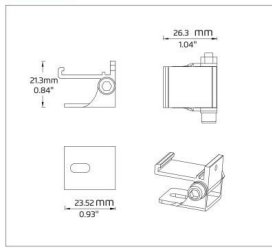
### Installation Accessories



### Installation Method 2



**Installation Method 3**



**Control System Diagram**

