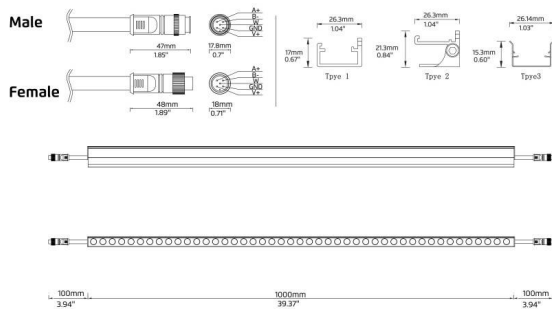
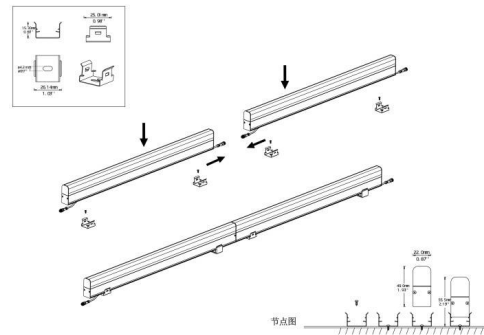




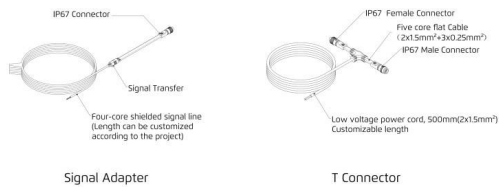
Product Dimensions (mm)



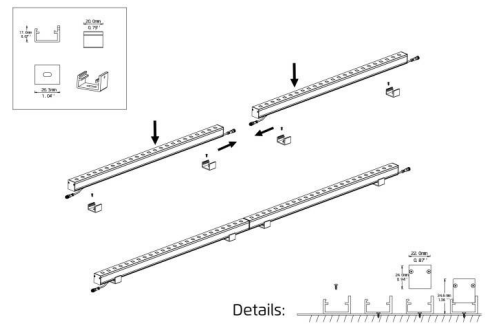
Installation Method 1



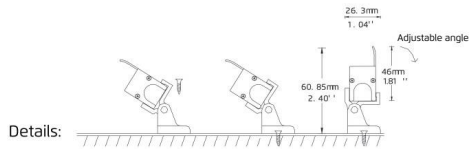
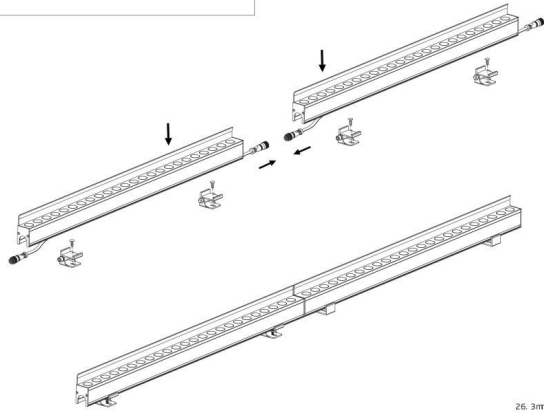
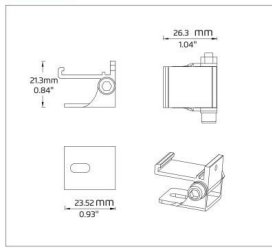
Installation Accessories



Installation Method 2



Installation Method 3



Control System Diagram

