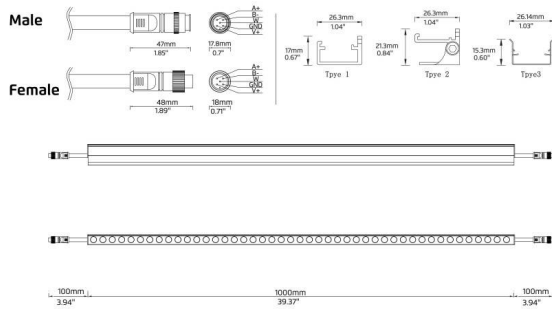
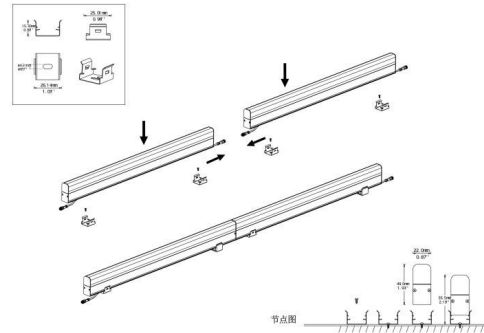




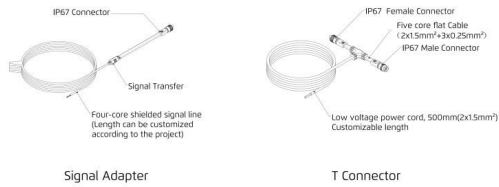
**Product Dimensions (mm)**



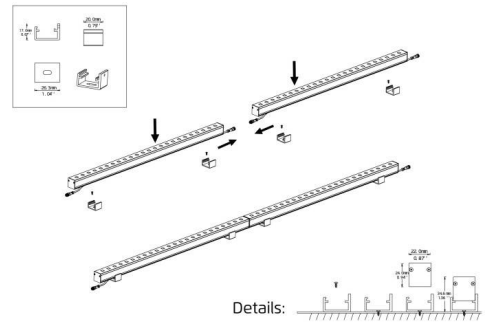
**Installation Method 1**



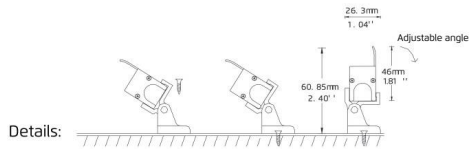
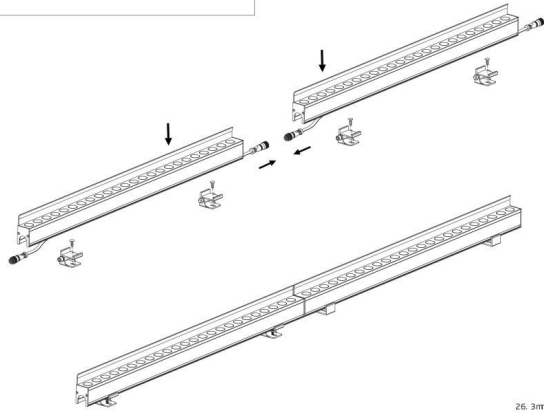
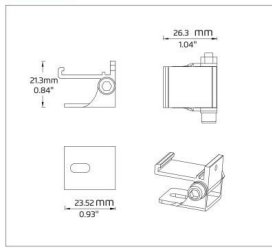
**Installation Accessories**



**Installation Method 2**



**Installation Method 3**



**Control System Diagram**

