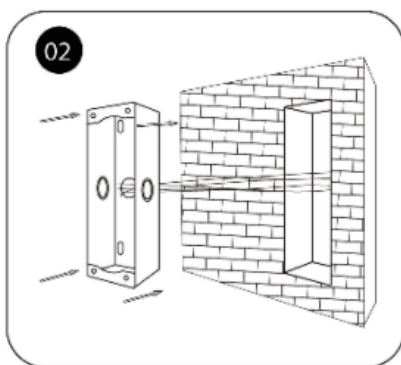
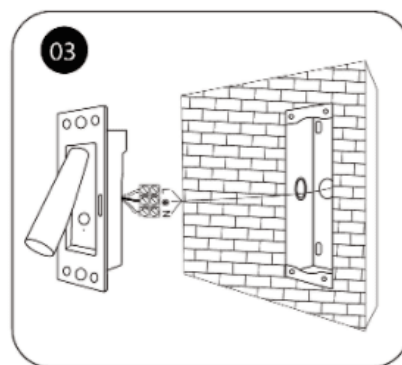


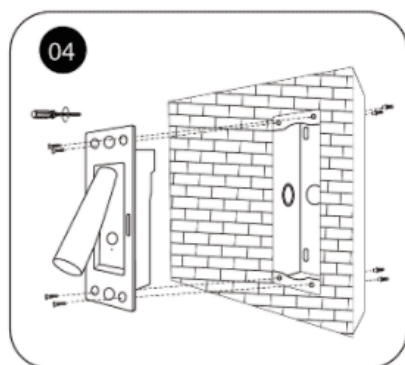
Bottom box size.



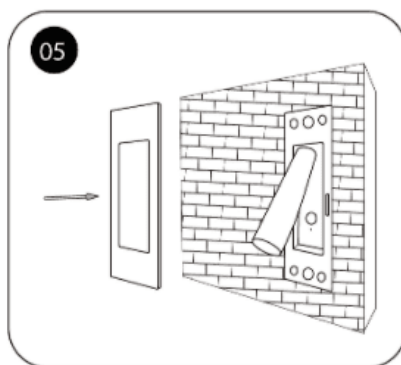
Cut a slot in the wall about the size of the bottom box.



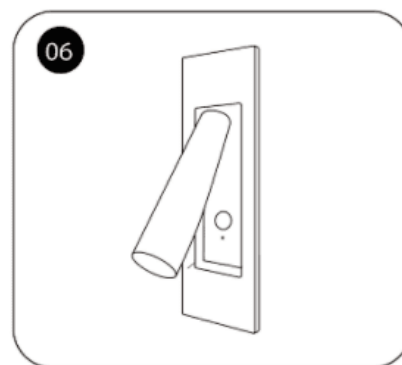
Insert the bottom box into the slot.



Press the sign to connect the cable.



The light fixture is fixed to the bottom box.



Complete power-on.