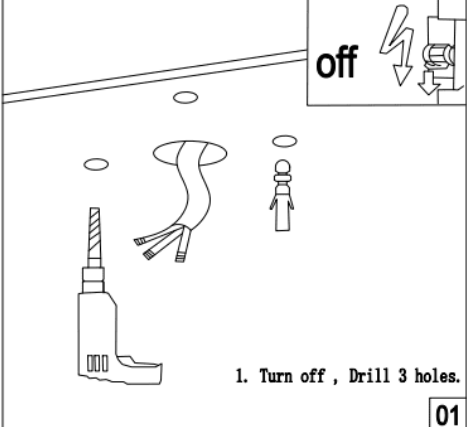
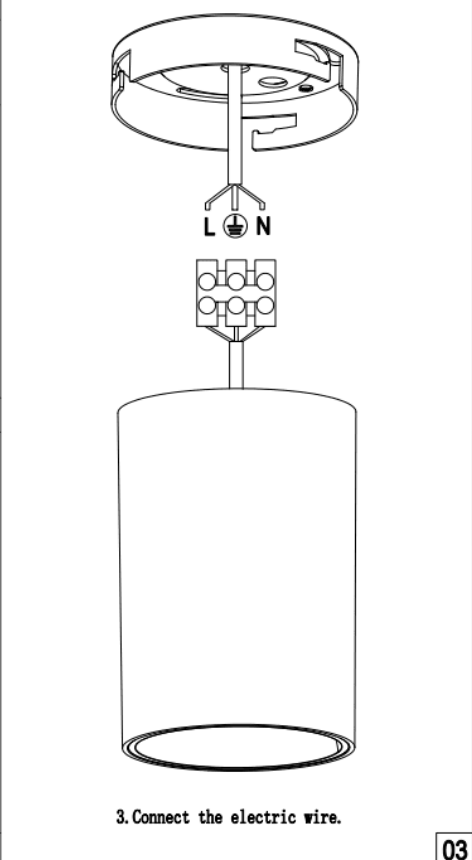
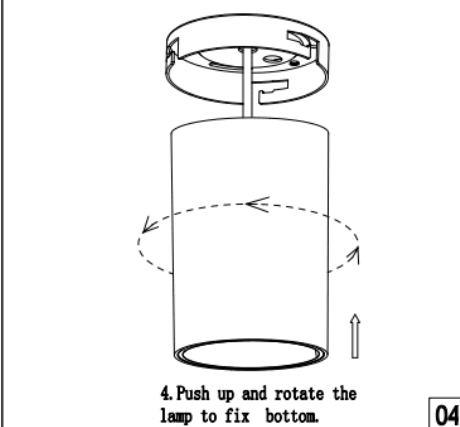
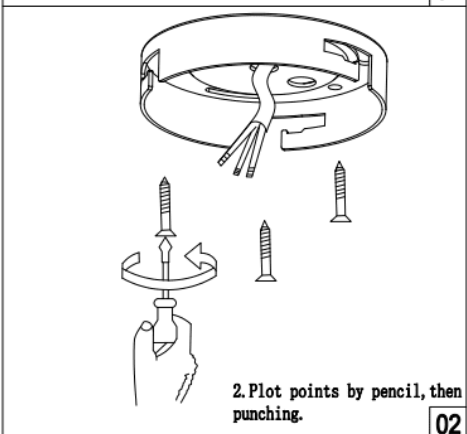
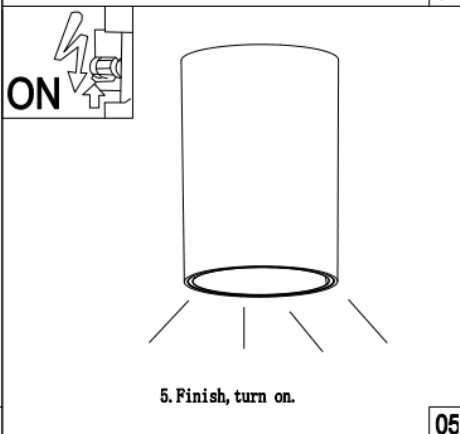




## Installation instructions

 <p>1. Turn off , Drill 3 holes.</p> <p>01</p>	 <p>3. Connect the electric wire.</p> <p>03</p>	 <p>4. Push up and rotate the lamp to fix bottom.</p> <p>04</p>
 <p>2. Plot points by pencil, then punching.</p> <p>02</p>		 <p>5. Finish, turn on.</p> <p>05</p>