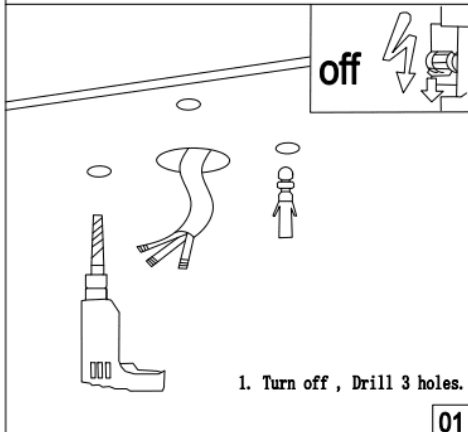
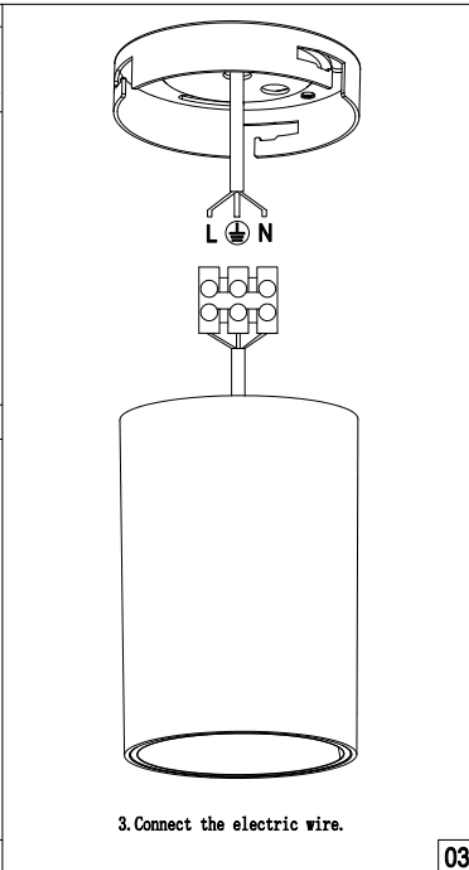
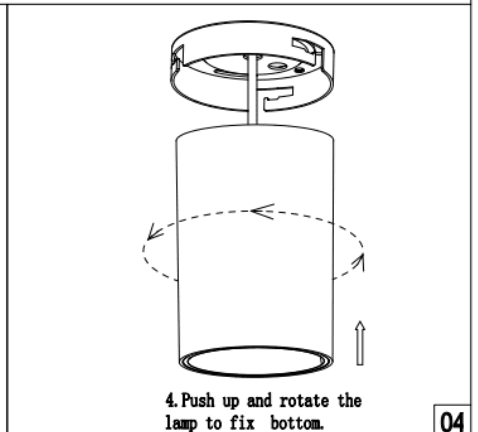
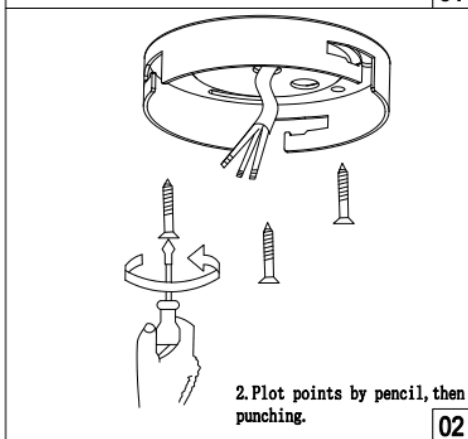
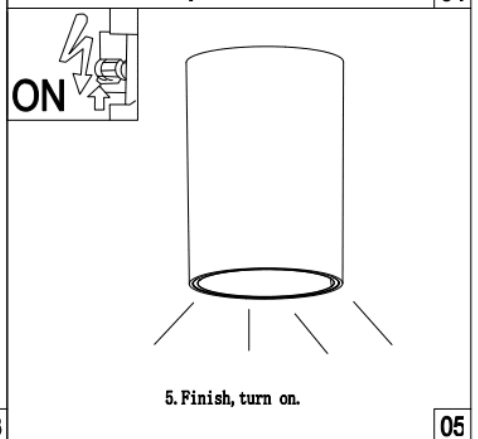




## Installation instructions

|  |   |   |
|--|---|---|
|  <p>off</p> <p>1. Turn off , Drill 3 holes.</p> <p>01</p>   |  <p>L N</p> <p>3. Connect the electric wire.</p> <p>03</p> |  <p>4. Push up and rotate the lamp to fix bottom.</p> <p>04</p> |
|  <p>2. Plot points by pencil, then punching.</p> <p>02</p> |   |  <p>ON</p> <p>5. Finish, turn on.</p> <p>05</p>                |