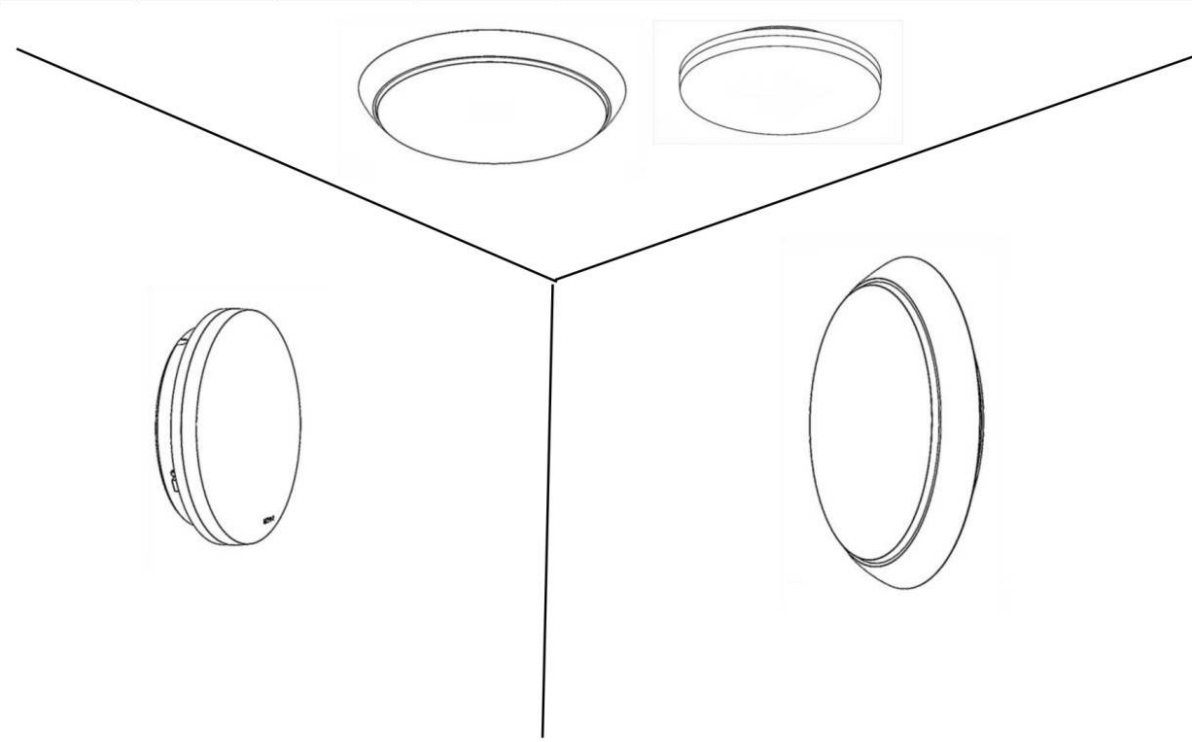


			IP54	Required Tools					
--	--	--	-------------	-----------------------	--	--	--	--	--



WARNING:

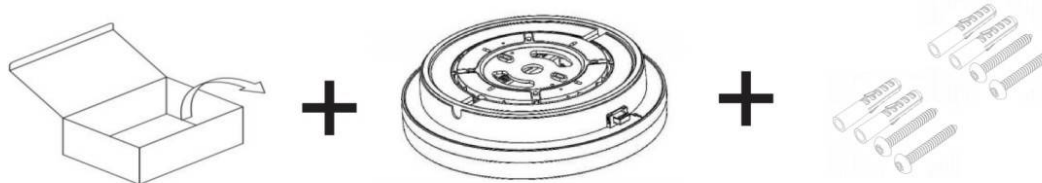
ON
OFF

Check that the power is off before conducting any maintenance and assembly work

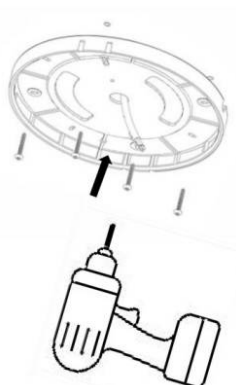
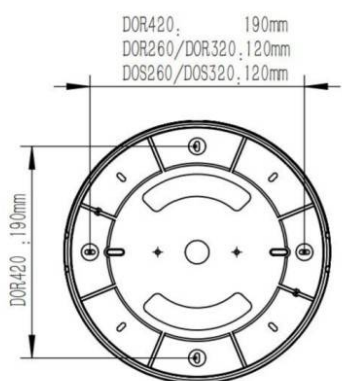
Caution, danger of electric shock

The installation and commissioning of the luminaire as well as any modification to the luminaire may only be performed by authorized personnel (qualified electrician).

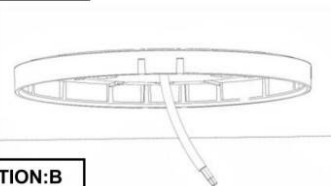
Step:1



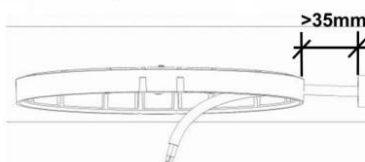
STEP:2



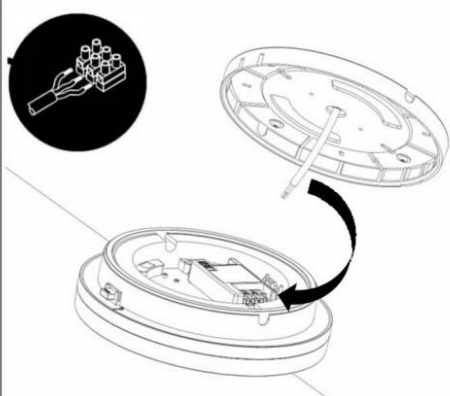
OPTION:A



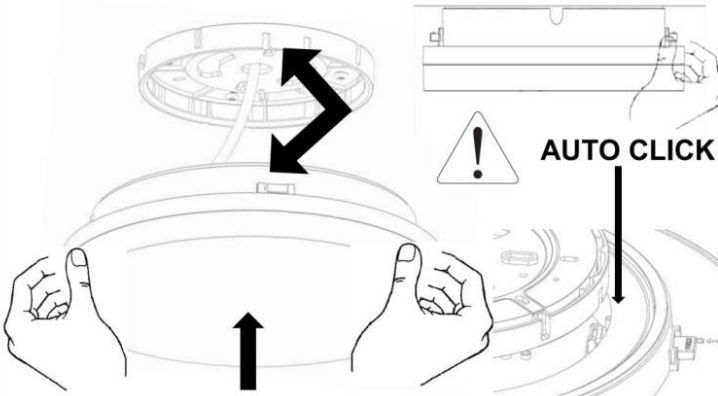
OPTION:B



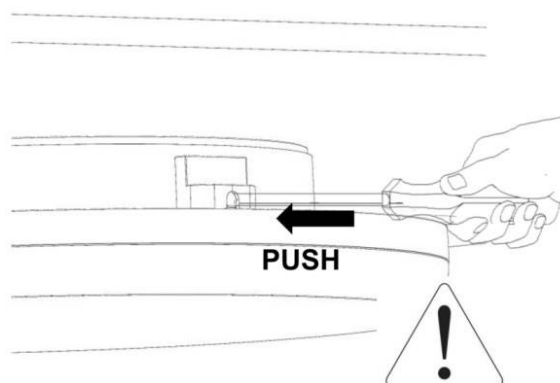
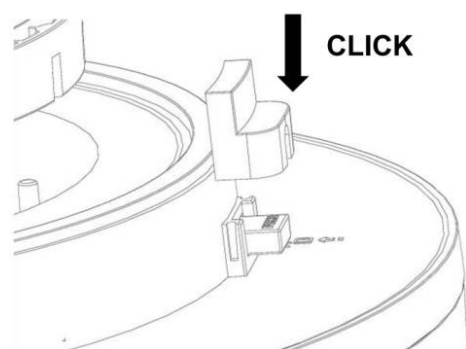
STEP:3



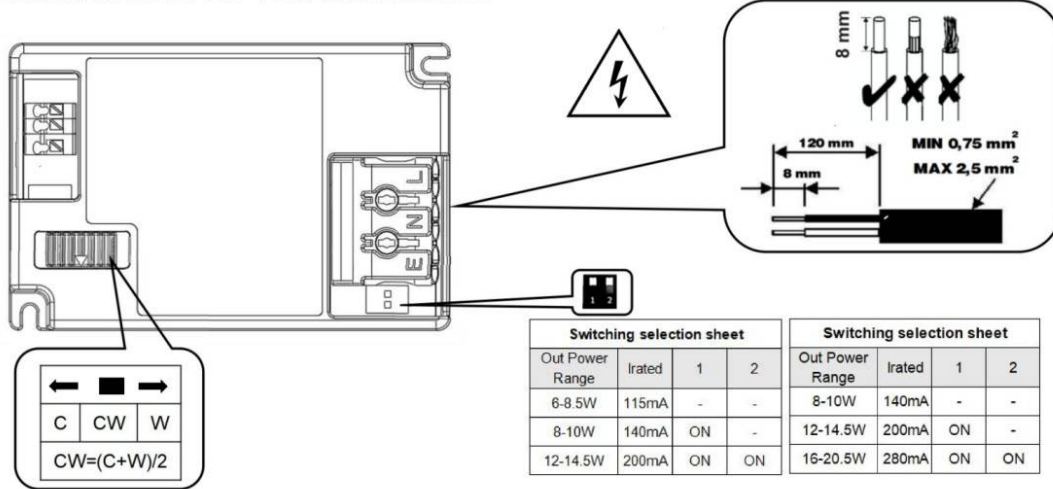
STEP:4



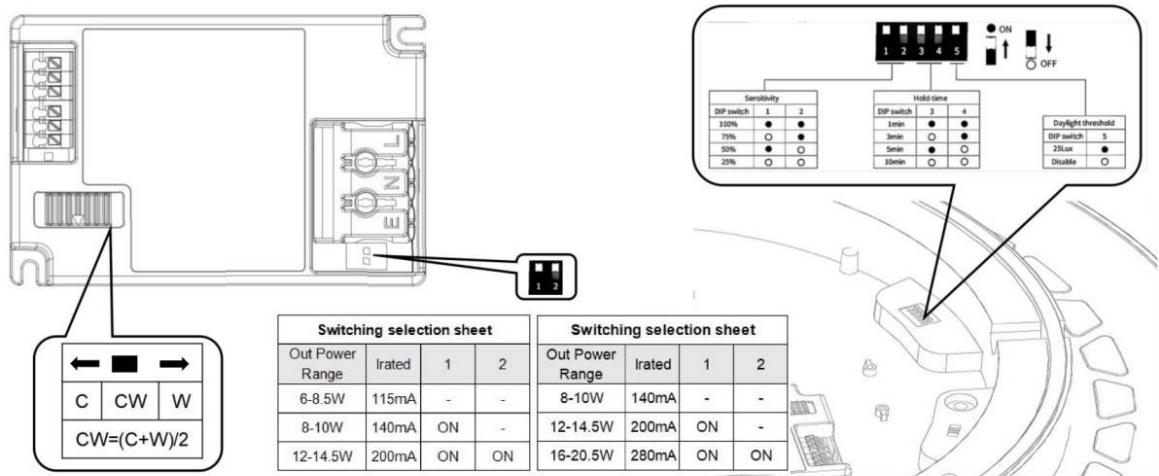
OPTION--SAFETY COVER



I. WIRING DIAGRAMS: CCT+POWER/SWITCHABLE



II. WIRING DIAGRAMS: CCT+POWER/SWITCHABLE+SENSOR/EM2



III. WIRING DIAGRAMS: CCT+DALI (TCI DT6)

