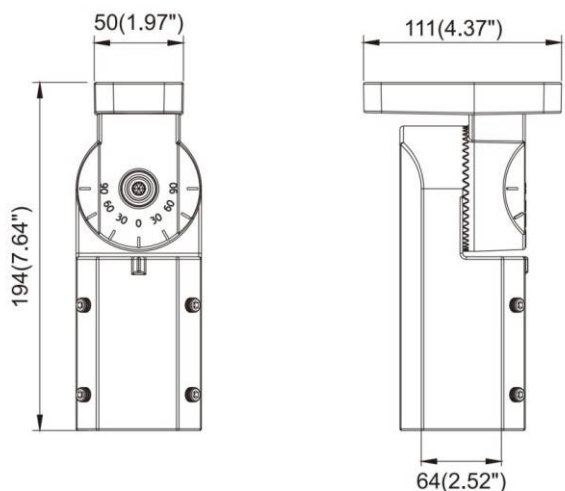


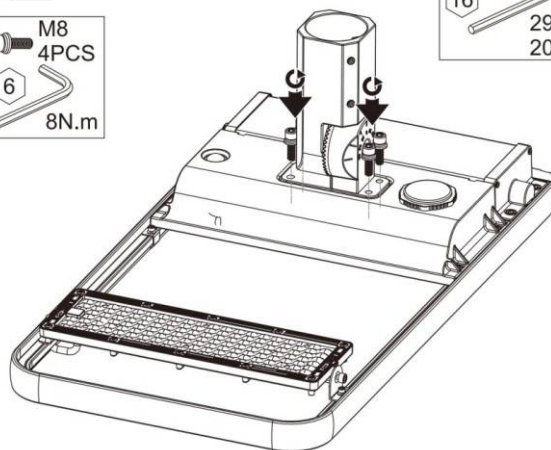


ACCESORIES

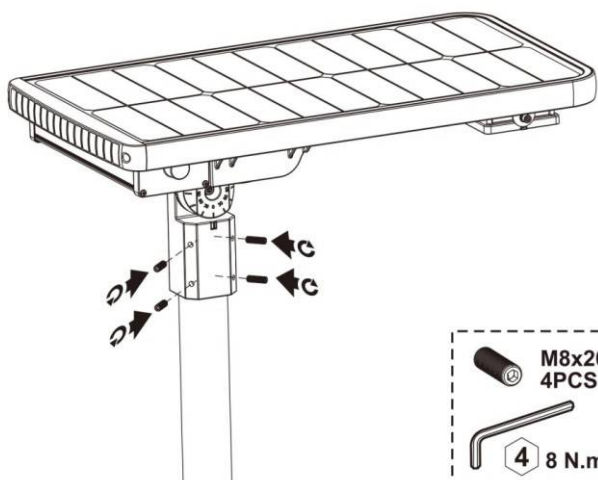
Code article 86.S022.0001.03



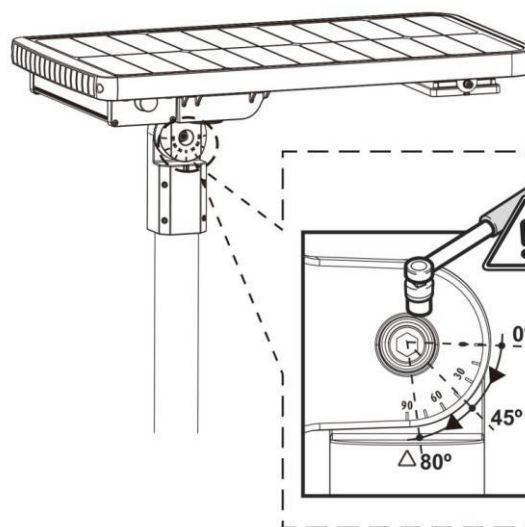
1. ✖



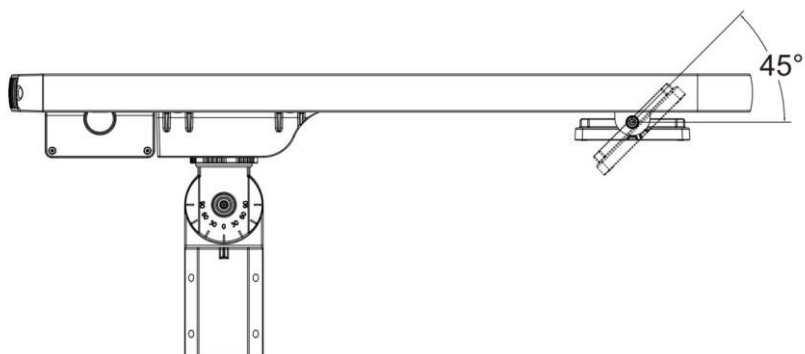
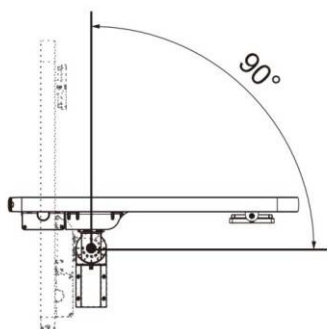
2. ✖



3. ✖



30W-60W



80W-100W

