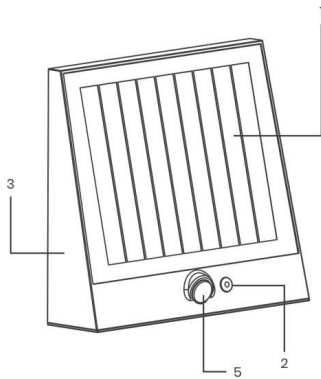




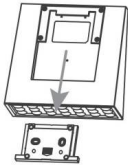
Main Parts

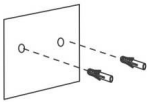


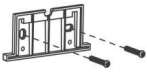
- ① Solar Panel
- ② Switch Button
- ③ Lamp Body
- ④ LED
- ⑤ PIR

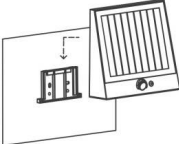
Battery: Li-ion Battery
Solar panel: Monocrystalline silicon
Materials: ABS

How to install the device?

- 

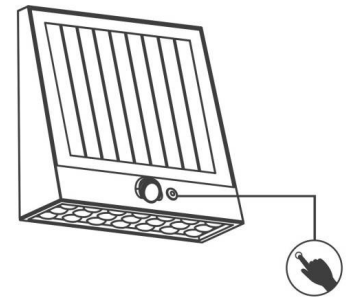
Take off the bracket from the lamp body
- 

Drilling and embedding the expansion screws into the wall
- 

Fix the bracket by screws onto the wall
- 

Hang the lamp body on the bracket

Working process instructions



Switch Button

1. ON/OFF: Long press for 1.5S.
(After the initial activation, the lamp will turn on/off automatically when dark/dawn.)
2. Change lighting mode: Short press.

Lighting Mode

- M1: 25% till dawn
- M2: 10%+PIR (30S)
- M3: 0+PIR (30S)
- M4: 100% till dawn